

C&I Scenario Solar Inverter Hopewind

1100Vdc 400Vac

hopeSun75KT



Efficiency

- Max. Efficiency 99.02%, Higher Yields
- 4 Channels MPPT
- High Precision&Intelligent String Detection
- High DC/AC Ratio For Various Requirement

Friendliness

- Support LVRT/ZVRT/HVRT
- Compatible With Weak Grid Situation
- Smart O&M Remote Firmware Upgrade

Reliability

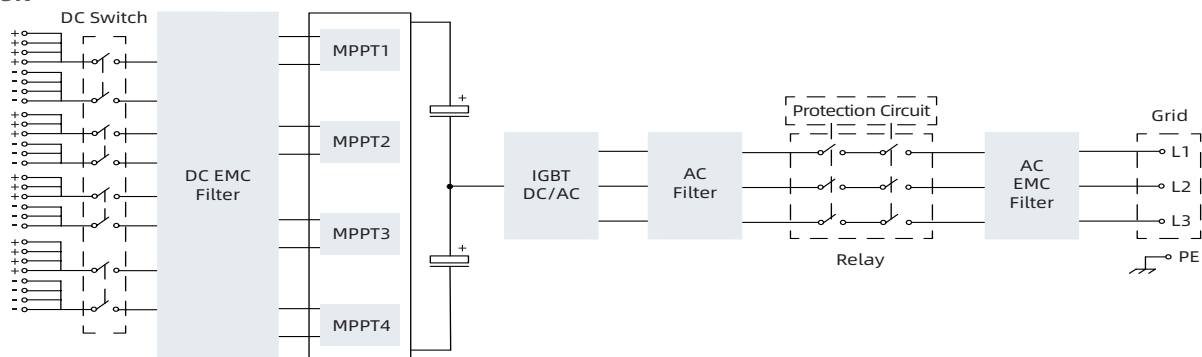
- Smart Air Cooling
- Compatible with Bifacial Modules
- Built-in AC and DC SPD
- Build-in PID Module

Low Cost

- Support "Y" Type Connection in DC Side
- Compatible with Aluminium Wire
- Night SVG Function

Circuit diagram

75K



Parameters

Model		hopeSun 75KTL
DC Input	Max. DC Voltage	1100V
	MPPT Voltage Range	250V ~ 1100V
	MPPT Voltage Range Full Load	540V ~ 880V
	Max. Input Current of Each MPPT	52A/52A/39/39A
	Number of DC Inputs / MPPT	14/4
AC Output	AC Output Power	75kW
	Max. Active Power (cosθ=1)	82.5kW
	Rated Output Voltage	400V
	Operating Voltage Range	320V ~ 460V
	Rated Output Current	108.2A
	Max. Output Current	119A
	Rated Grid Frequency	50Hz / 60Hz
	Power Factor	0.8(Leading) ~ 0.8(Lagging)
System Parameters	THD	<3%
	Max. Efficiency	99.02% / 98.51%
	MPPT Tracking Efficiency	Steady>99.9%, Dynamic>99.0%
	AC/DC SPD	Support
	Insulation Impedance Detection	Support
	Residual Leakage Current Detection	Support
	PV String Fault Detection	Support
	Output Overcurrent Protection	Support
	Protection Level	IP65
	Operating Temperature Range	-40°C ~ +60°C
	Cooling System	Smart Air Cooling
	Standby Power Consumption	<1W
	Topology Structure	Transformerless
	Operating Altitude	5000m (Derating above 4000m)
Display	LED Indicator	
Communication	RS485 / PCL	
Certification	IEC62109 / IEC61000 / IEC62116 / IEC61727/ IEC61683 / CQC / CGC	
Mechanical Parameters	Dimensions (W*H*D)	705*650*283mm
	Weight	<75kg