

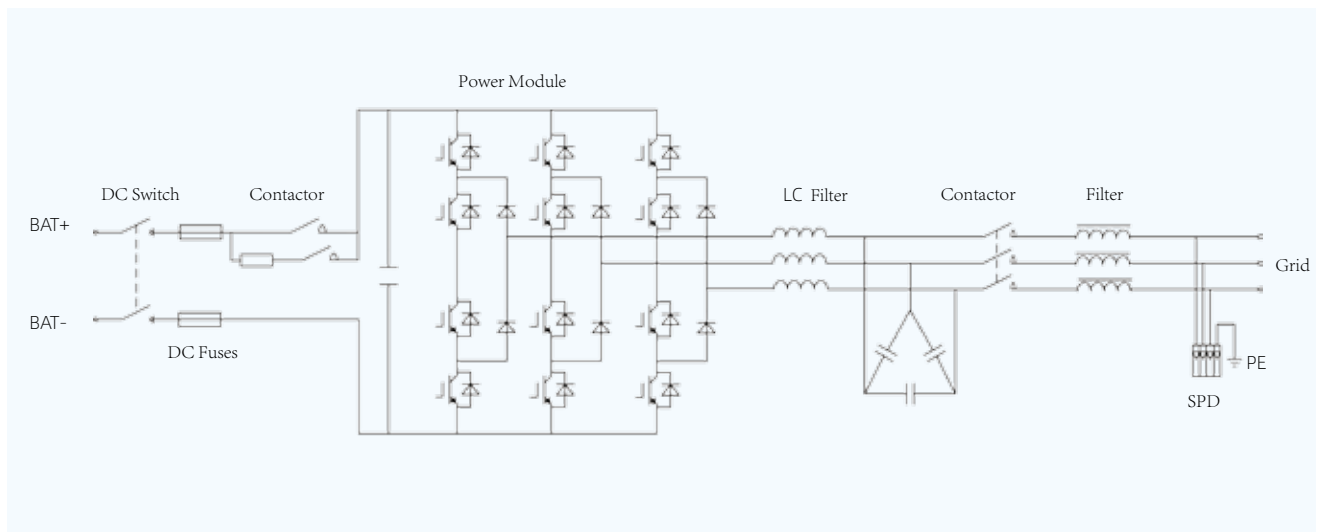
# >> String Type Outdoor Mounted HopePCS Series

## Specification

- IP65 protection, suitable for typhoons and coastal areas
- Reduce the direct seriesing linking of battery strings, it can reduce the capacity difference between battery strings after years of usage
- Independent string, it can improve equipment utilization during maintenance, only cutting off the battery cluster under maintenance
- Low noise, less than 60dB, user-friendly
- No need for special tools or equipment for installation manually installed
- Special Detection equipment measures leakage current to ensure system and personal safety
- AC parallel connection for multi-machine
- long-term overload operation for 1.2Pn, 1.4Pn for 60s



## Topology



## Specification

Model		hopePCS050	hopePCS060	hopePCS080
DC	Max DC Power	61kW	73kW	114kW
	Max DC Volatge	900V		
	MAX DC Current	102A	122A	190A
	DC Voltage Range	Grid Voltage*1.45 ~ 900V		
	DC voltage Ripple %	2%		
AC	Rated Power	50kW	60kW	80kW
	Max Power	60kW	72kW	112kW
	AC Connection	M8 Screws		
	Isolation	No Isolation		
	Q range	0 ~ 50kvar	0 ~ 60kvar	0 ~ 80kvar
On-Grid	Rated Grid Voltage	400V		
	Grid Voltage Range	304V ~ 440V		
	Rated Grid Frequency	50Hz / 60Hz		
	Frequency range	47Hz ~ 53Hz / 57Hz ~ 63Hz		
	THD	3%		
	Power Factor	-1 ~ 1		
	Switching T charge/discharge	60ms		
Off-Grid	Rated Output Voltage	400V		
	Voltage Deviation	±2%		
	Voltage Imbalance	2%, Short time < 4%		
	Total THD	3% ( Without Load or resistive load )		
	Rated Output Frequency	50Hz		
	voltage transient range	10% (Load increases from 20% to 100%/decreases from 100% to 20% ( resistive/balanced load conditions)		
	Over-voltage Value	Optional		
	Under-voltage Value	Optional		
Mechanical	Max Efficiency	97.8%	98%	98.5%
	Operation Temperature	- 40°C ~ + 60°C		
	Operation Humidity	0% ~ 100%		
	Noise	59dB		
	W*D*H	800*330*668mm		
	Wight	<60kg		
	IP Protection	IP65		
	Cooling Method	Smart cooling		
	Insulation Resistance	1MΩ		
Com	Interface	Ethernet、485		
	UI Interface	LED display: charge/discharge, shutdown, standby, fault		
	Protocol	modbus TCP / RTU		