

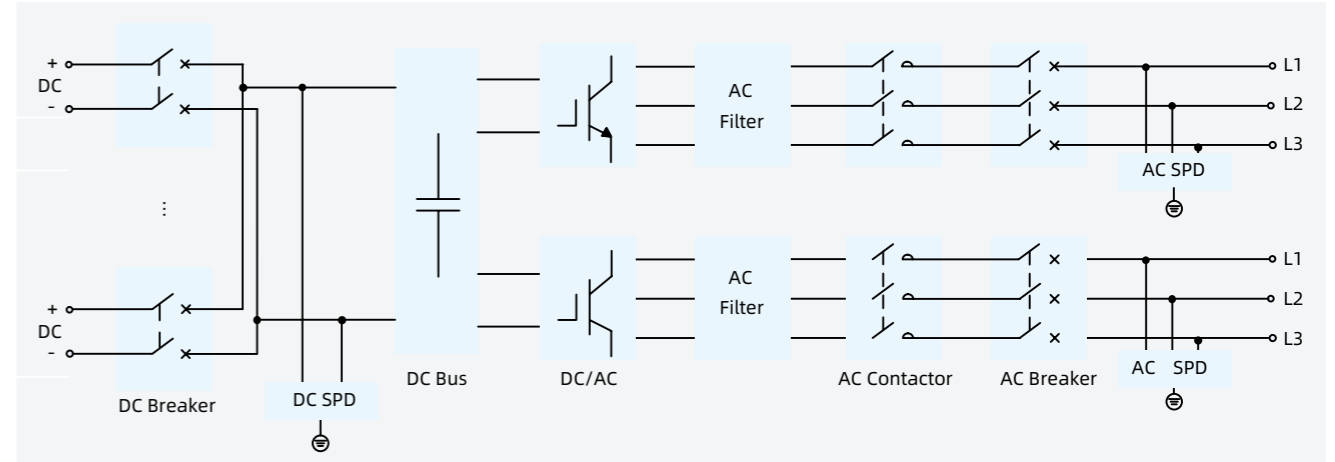
# 1500V System - Outdoor Solution - HPHV2500/3125

## Specifications

- Three-level technology with a maximum efficiency of 99.06% and film capacitor design - High electric generation and improved longevity
- Night SVG function, high MPPT tracking speed and precision, built-in PID
- 2.5MW and 3.125MW Parallel operation to various harsh environments such as high temperature, high humidity, and high altitude
- Small size, high power density, modular design, convenient maintenance and this can save the transportation and installation costs
- Maximum DC input voltage up to 1500V, AC output voltage up to 600V, reducing system cost
- Operation of multi-inverters can be 5MW and 6.25MW Max 6.8MW and it can parallel operation with double winding transformer which can reduce the costs



## Electric Diagram



## Technical Parameters (2500kW/3125kW/DC1500V)

Model		HPHV2500-550	HPHV3125-600
DC Input	MPPT Voltage Range	800V ~ 1450V	
	Max. DC Voltage	1500V	
	Number of DC Inputs	12 / 18 Inputs	14 / 22 Inputs
	Max. String Current	400A ( Fuse 500A )	400A ( Fuse 500A )
AC Output	Rated Output Power	2500kW	3125kW
	Max. Output Power	2750kW	3438kW
	Rated Output Current	2624A	3008A
	Max. Output Current	2886A	3309A
	Rated Output Voltage	550V	600V
	Operating Voltage Range	440V ~ 632V	480V ~ 690V
	Rated Grid Frequency	50Hz / 60Hz	
	Operating Frequency Range	±3Hz	
	THD	<3% (Rated Power)	
	DC Current Component	<0.5% (Rated Output Current)	
System Parameters	Power Factor	0.8(Leadingd.) to 0.8(Lagging.)	
	Max. Efficiency	99.02%	99.06%
	European Efficiency	98.49%	98.62%
	Standby Power Consumption	<250W ( Night power consumption < 100W )	
	Cooling System	Temperature control forced air cooling	
	Protection Level	IP55	
	Operating Temperature Range	-45℃ ~ +60℃ (derating above 50℃)	
	Storage Temperature	-40℃ ~ +70℃	
	Operation Altitude	≤6000m (Operation with derating above 3000m)	
	Relative Humidity	0% ~ 95%, no condensation	
Mechanical Parameters	LVRT	Yes	
	Communication	RS485, Ethernet	
	Dimensions (W*H*D)	1710*2505*1650mm	
Mechanical Parameters	Weight	≤2700kg	

