



Utility Scenario Solar Inverter Hopewind

Multiple Mppt 1500Vdc 800Vac

hopeSunHV250KT



Efficiency

- Max. Efficiency 99.01%
- 12 Channels MPPT
- High Precision&Intelligent String Detection
- High DC/AC Ratio For Various Requirement

Friendliness

- Active and Reactive Power Regulation
- Support LVRT/ZVRT/HVRT
- Compatible With Weak Grid Situation
- Remote Firmware Upgrade

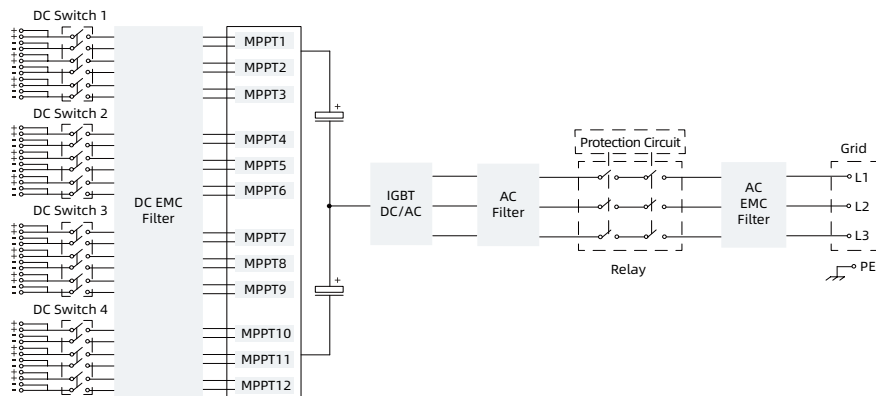
Reliability

- IP66 And C5 Protection, No Fuse
- Compatible with 500Wp+ Bifacial Modules
- Built-in AC and DC SPD
- Build-in PID Module

Low Cost

- Support "Y" Type Connection in DC Side
- Compatible with Aluminium Wire
- PLC Communication to Reduce Cost
- Night SVG Function

Circuit diagram



Parameters

Model		hopeSunHV 250KTL
DC Input	Max. DC Voltage	1500V
	MPPT Voltage Range	500V ~ 1500V
	MPPT Voltage Range Full Load	820V ~ 1320V
	Max. Input Current of Each MPPT	30A
	MPPT Number /input strings per MPPT	12 / 2
AC Output	AC Output Power	200kW@50°C / 230kW@40°C / 250kW@30°C
	Max. Active Power (cosθ=1)	255kW
	Rated Output Voltage	800V
	Operating Voltage Range	680V ~ 880V
	Rated Output Current	162.4A
	Max. Output Current	184A
	Rated Grid Frequency	50Hz / 60Hz
	Power Factor	0.8(Leading) ~ 0.8(Lagging)
THD	<3%	
System Parameters	Max. Efficiency	99.01% / 98.52%
	MPPT Tracking Efficiency	Steady>99.9%, Dynamic>99.0%
	AC/DC SPD	Support
	Insulation Impedance Detection	Support
	Residual Leakage Current Detection	Support
	PV String Fault Detection	Support
	Output Overcurrent Protection	Support
	Protection Level	IP66
	Operating Temperature Range	-40°C ~ +60°C
	Cooling System	Smart Air Cooling
	Standby Power Consumption	<5W
	Topology Structure	Transformerless
	Operating Altitude	5000m (Derating above 4000m)
	Display	LED Indicator
	Communication	RS485 / PCL
Certification	IEC62109 / IEC61000 / IEC62116 / IEC61727/ IEC61683 / CQC / CGC	
Mechanical Parameters	Dimensions (W*H*D)	1000*720*320mm
	Weight	<105kg