

HOPEWIND

GREEN RESIDENTIAL SOLUTION

PV Grid-tied Inverter

HSSP3-10K -G01



FEATURES

↑ Efficient

- Compatible with high power PV modules and bifacial modules
- Wider MPPT range
- Up to 1.5 times of DC/AC ratio

⚡ Safe and Reliable

- Built-in type II DC/AC SPD
- Intelligent PV string connection detection
- IP66

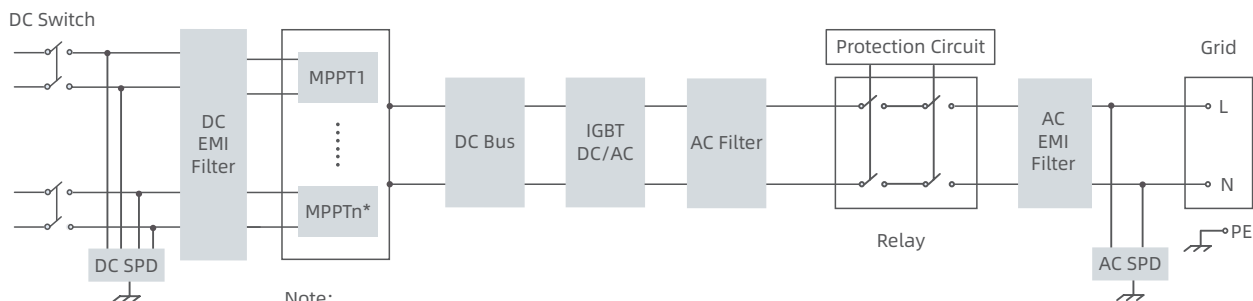
👉 User Friendly

- Plug and play
- Fanless design, low noise
- Smart LED indicators

🧠 Intelligent

- Easy commissioning & real-time monitoring via APP
- Remote firmware upgrade

TOPOLOGICAL GRAPH



Note:

n*=1: HSSP3K-G01, HSSP4K-G01; n*=2: HSSP5~10K-G01.

PARAMETERS

Model	HSSP3K-G01	HSSP4K-G01	HSSP5K-G01	HSSP6K-G01	HSSP8K-G01	HSSP10K-G01
DC Input						
Max. Input Voltage	600 V					
Starting Voltage	55 V					
MPPT Voltage Range	55~550 V					
MPPT Range Full Load	170~520 V	210~520 V	200~520 V	235~520 V	210~520 V	260~520 V
Max. Input Current Per MPPT	20 A	22 A	20 A / 20 A		26 A / 20 A	
Max. Short-circuit Current	30 A	33 A	30 A / 30 A		39 A / 30 A	
Number of DC Inputs	1	2	1 / 1		2 / 1	
Number of MPP Trackers	1		2			
AC Output						
Rated Output Power	3 kW	4 kW	5 kW	6 kW	8 kW	10 kW
Max. Output Power	3.3 kW	4.4 kW	5.5 kW	6.6 kW	8.8 kW	11 kW
Rated Output Voltage	220 V / 230 V (L + N + PE)					
Operating Voltage Range	165~275 V					
Rated Output Current	13.6 A	18.2 A	22.7 A	27.3 A	36.4 A	45.5 A
Max. Output Current	15 A	20 A	25 A	30 A	40 A	50 A
Rated Grid Frequency	50 Hz / 60 Hz					
Grid Frequency Range	45~55 Hz / 55~65 Hz					
Power Factor	>0.99 (0.8 leading~0.8 lagging)					
Harmonic (THDi)	<3% (at rated power)					
Efficiency						
Max. Efficiency	97.80%					
European Efficiency	96.80%		97.00%		97.10%	
Protection						
Surge Protection	DC type II / AC type II					
Insulation Impedance Detection	Yes					
Residual Leakage Current Detection	Yes					
PV String Connection Detection	Yes					
PV Reverse Polarity Protection	Yes					
Anti-islanding Protection	Yes					
Output Overcurrent Protection	Yes					
DC Switch	Yes					
Zero Export Function	Yes					
Optional	Arc Fault Circuit Interrupter (AFCI)					
General Parameters						
Dimensions (W × H × D)	425 × 400 × 146 mm		425 × 400 × 167 mm		512 × 438 × 177 mm	
Weight	≤8.5 kg	≤9 kg	≤13 kg		≤16 kg	≤16.5 kg
Ingress Protection	IP66					
Operating Temperature Range	-25~+60°C					
Cooling System	Natural cooling					
Topology	Transformerless					
Operating Altitude	4000 m (>3000 m derating)					
Display	LED, WLAN+APP					
Communication	Wi-Fi					
DC Connection Type	DC connector (4~6 mm ²)					
AC Connection Type	Plug-in connector					

