

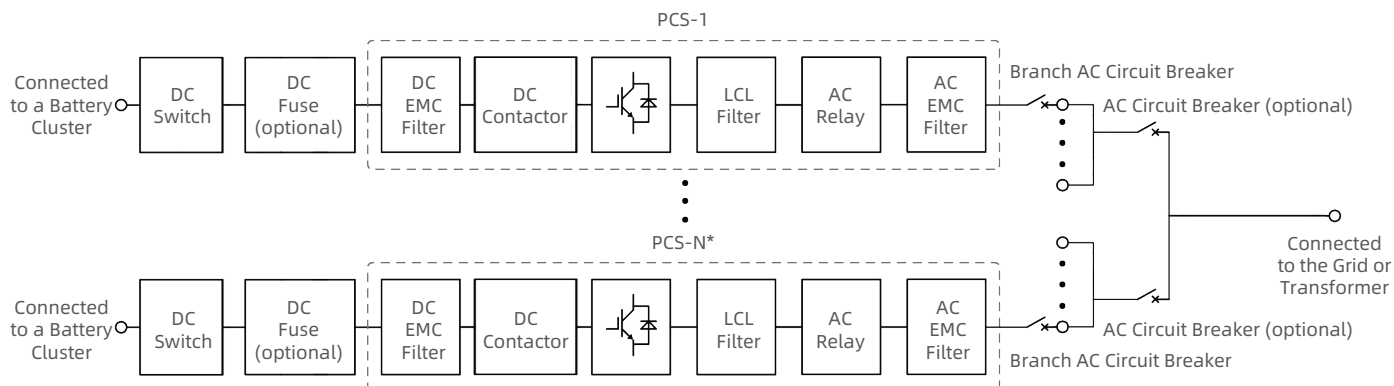
hopeESHV Series



FEATURES

- Flexible capacity configuration and customizable PCS number 4~14
- Rack-level management for batteries to address the issue of circulating current in parallel connections
- Modular design to prevent single point of failure
- Use of the three-level technology
- Strong environmental adaptability with C4 anti-corrosion degree available, and no derating at 45°C ambient temperature
- Multiple operation modes supported such as PQ and VSG

TOPOLOGICAL GRAPH



PARAMETERS

Model	hopeESHV-4DCx1	hopeESHV-6DCx1	hopeESHV-4DCx2	hopeESHV-5DCx2	hopeESHV-6DCx2	hopeESHV-7DCx2
DC Parameters						
Number of DC Input Channels	4	6	8	10	12	14
Max. DC Current	281A*4	281A*6	281A*8	281A*10	281A*12	281A*14
DC Voltage Operating Range	1000~1500V					
AC Parameters						
Total Rated Power	860kW	1250kW	1720kW	2150kW	2500kW	3000kW
Max. Output Power	946kW	1375kW	1892kW	2365kW	2750kW	3300kW
Rated Voltage	690Vac					
Isolation Mode	Non-isolated					
Reactive Power Range	0~903kvar	0~1312.5kvar	0~1806kvar	0~2257.5kvar	0~2625kvar	0~3150kvar
On-grid						
Rated Voltage	690V (3W+PE)					
Rated Voltage	690V					
Rated Grid Frequency	50Hz / 60Hz					
Grid Frequency Range	47~53Hz / 57~63Hz					
THDi	3% (at rated power)					
Power Factor	-1~1					
Off-grid						
Rated Output Voltage	690V (3W+PE)					
THDu	3% (no load or rated resistive load)					
General Parameters						
Rack Number	1		2			
Rack Dimensions (W*D*H)	2092*879*2300mm		Rack 1: 2092*879*2300mm / Rack 2: 2092*879*2300mm			
Weight	≈1200kg	≈1400kg	≈2400kg	≈2600kg	≈2800kg	≈3000kg
Operating Ambient Temperature Range	-40~60°C (derating above 45°C)					
Operating Altitude	<4000m (no derating within 3000m)					
Ingress Protection	IP65 (PCS IP66)					
BMS Communication	RS485 / CAN					
EMS Communication	Ethernet Interface					
Communication Protocol	Modbus TCP / RTU, IEC61850, IEC104					
Standard Compliance	GB/T 34120-2023, IEC 62477-1, IEC 61000-3/-6, EN 50549-1/-2/-10, IEC60068-2, G99, VDE 4110/4120, NTS V2.1, NTS V1.1, CEI 0-16					
Grid Support	H/LVRT, frequency adjustment function, voltage adjustment function, inertia response, etc.					

*Please refer to the latest physical product for any changes in specifications.

*The table only lists some models. Products can be customized for projects.

*The rated power of a single PCS is 250kW.

