

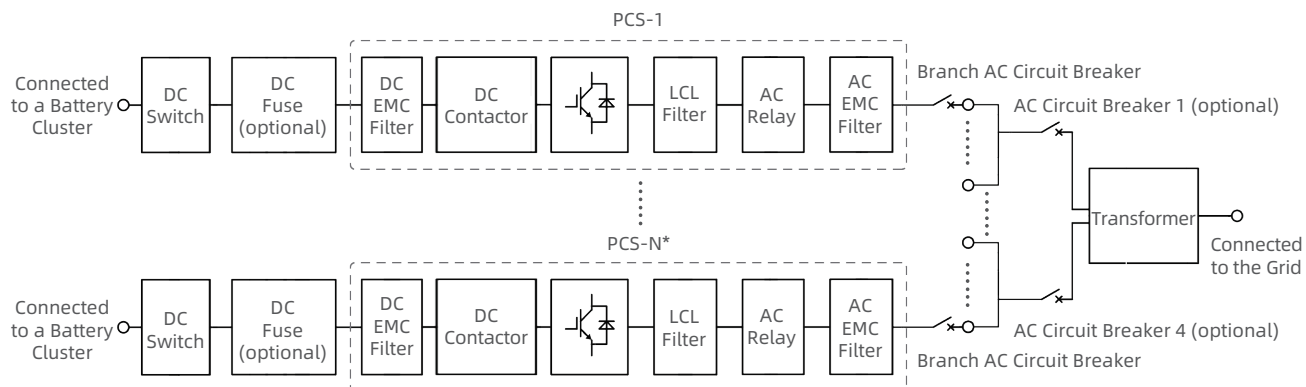
# HPPS Series 7.5MW



## FEATURES

- 7.5MW within HQ 40ft container to reduce floor space
- Rack-level management for batteries to address the issue of circulating current in parallel connections
- Modular design to prevent single point of failure, easy maintenance
- Strong environmental adaptability with C4~C5 anti-corrosion degree available, and no derating at 45°C
- Flexible capacity configuration and customizable MV voltage level of 6~35kV
- PQ, VSG operating modes with grid-forming function

## TOPOLOGICAL GRAPH



24≤N\*≤36: Double-split Transformer

# PARAMETERS

Model	HPPS-7500B
DC Parameters	
Number of DC Input Channels	36
Max. DC Current	281A*36
DC Voltage Operating Range	1000~1500V
AC Parameters	
Total Rated Power	7500kW
Max. Output Power	8250kW
Rated Voltage	690Vac
Isolation Mode	Transformer Isolation
Reactive Power Range	0~7875kvar
On-grid	
Rated Grid Voltage	6~35kV (customizable)
Rated Grid Frequency	50Hz / 60Hz
THDi	<3%
Power Factor	-1~1
Transformer Parameters	
Rated Capacity	7700kVA
Transformer Type	Oil-immersed Transformer
LV/MV Voltage	0.69 / 0.69 / (6~35) kV
System Parameters	
Dimensions (W*D*H)	12192*2438*2896mm
Weight	≈34t
Operating Temperature	-40~+60°C (derating above 45°C)
Operating Humidity	0~100%
Operating Altitude	≤4000m (no derating within 3000m)
Protection Degree	IP54 (PCS IP66)
BMS Communication	RS485 / CAN
EMS Communication	Ethernet
Communication Protocol	Modbus TCP / IEC 61850 / IEC 104 / Modbus RTU / CAN 2.0
Standard Compliance	PCS: EN 50549-1/-2/-10, GB/T 34120-2023, IEC 62477-1, IEC 61000-3/-6, IEC60068-2, G99, VDE 4110/4120, NTS V2.1, NTS V1.1, CEI 0-16, IEC TS 62910, etc. MV Transformer: IEC 60076 (Please contact Hopewind team for latest certifications)
Grid Support	H/LVRT, frequency adjustment function, voltage adjustment function, inertia response, etc.

\*The table only lists some models. Products can be customized for projects.

\*Please refer to the latest physical product for any changes in specifications.

