

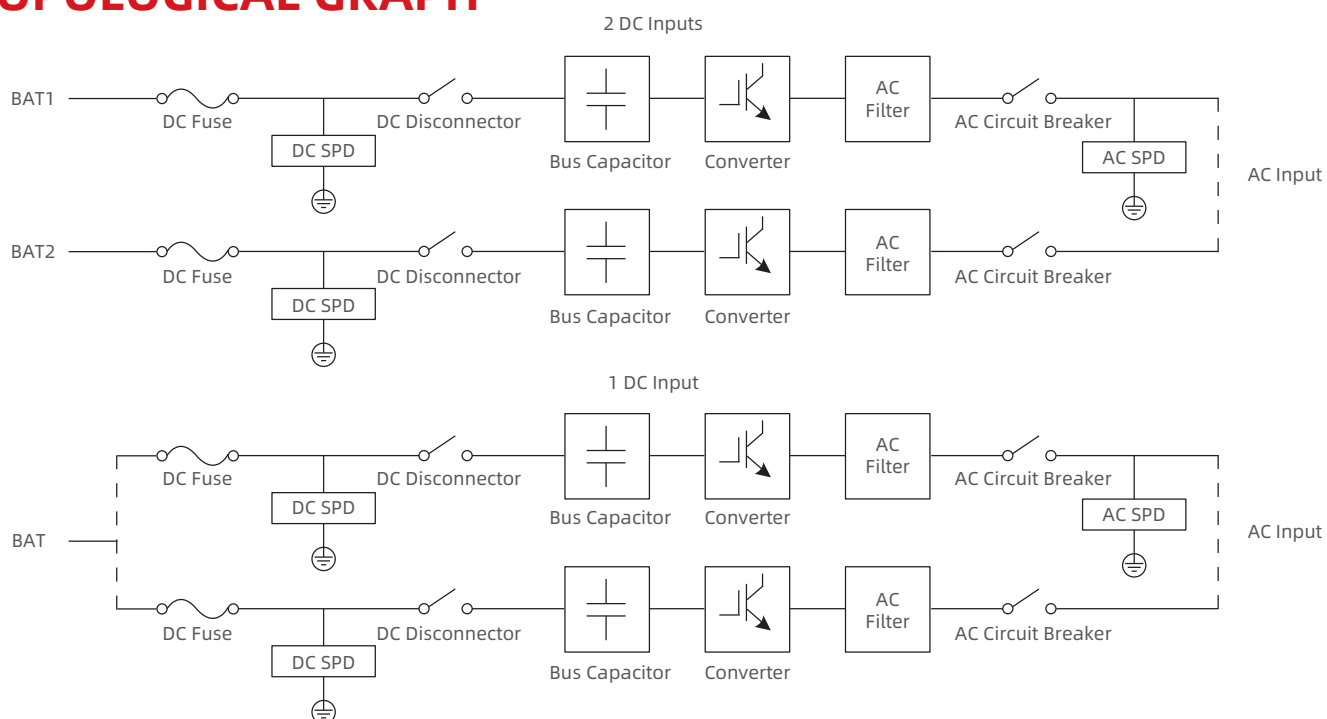
hopePCSHV Series 1.25~2.75MW



FEATURES

- Small footprint, only 1000*1500mm
- Innovative liquid cooling heat dissipation method 51°C operation without derating
- Ingress protection IP66 and anti-corrosion C5, high environmental adaptability
- 1/2 DC inputs, compatible with single/dual-branch battery system
- PQ, VSG operating modes with grid-forming function

TOPOLOGICAL GRAPH



PARAMETERS

Model	hopePCSHV 1250	hopePCSHV 1500	hopePCSHV 1750	hopePCSHV 2000	hopePCSHV 2250	hopePCSHV 2500	hopePCSHV 2750
DC Input							
DC Voltage Range	1000~1500V						
Max. DC Current	703A*2	844A*2	984A*2	1125A*2	1265A*2	1406A*2	
Number of DC Input Channels	1 / 2						
AC Input							
Rated Power	1250kW	1500kW	1750kW	2000kW	2250kW	2500kW	2750kW
Max. Output Power	1375kW	1650kW	1925kW	2200kW	2475kW	2750kW	2750kW
Reactive Power Range	0~1312.5kvar	0~1575kvar	0~1837.5kvar	0~2100kvar	0~2363kvar	0~2625kvar	0~2750kvar
Rated Current	1045A	1255A	1464A	1673A	1883A	2092A	2301A
AC Connection	3W+PE						
Isolation	Non-isolated						
On-grid							
Rated Grid Voltage	690V						
Voltage Range	586.5~759V						
Rated Grid Frequency	50Hz / 60Hz						
Frequency Range	47~53Hz / 57~63Hz						
Power Factor	-1~+1						
THDi	3% (at rated power)						
Charge/Discharge Switchover Time	70ms						
Off-grid							
Rated Output Voltage	690V						
Voltage Imbalance	<2% (steady-state), ≤4% (transient)						
THDu	<3% (no load or rated resistive load)						
Overvoltage Protection	Settable						
Undervoltage Protection	Settable						
General Data							
Grounding System	IT						
Operating Ambient Temperature Range	-40~+60°C (derating above 51°C)						
Allowable Relative Humidity Range	4~100% (non-condensing)						
Allowable Altitude Range	≤4000m (no derating within 3000m)						
Anti-corrosion Class	C4 (C5 optional)						
Protection Degree	IP66						
Cooling Method	Liquid-cooling						
Human-machine Interface (HMI)	Touch Screen						
Communication Protocol	Modbus TCP / IEC 61850 / IEC 104 / Modbus RTU / CAN 2.0						
Dimensions (W*D*H)	1000*1500*2428mm						
Weight	≈1800kg						
Standard Compliance	EN 50549-2/-10, NTS V2.1, IEC 62477-1, IEC 61000, IEC 61683, IEC 60068, IEC 62116, IEC TS 62910, CEA, etc. (Please contact Hopewind team for latest certifications)						

Note: The hopePCSHV2750 model has no overload capacity beyond its rated power.

