

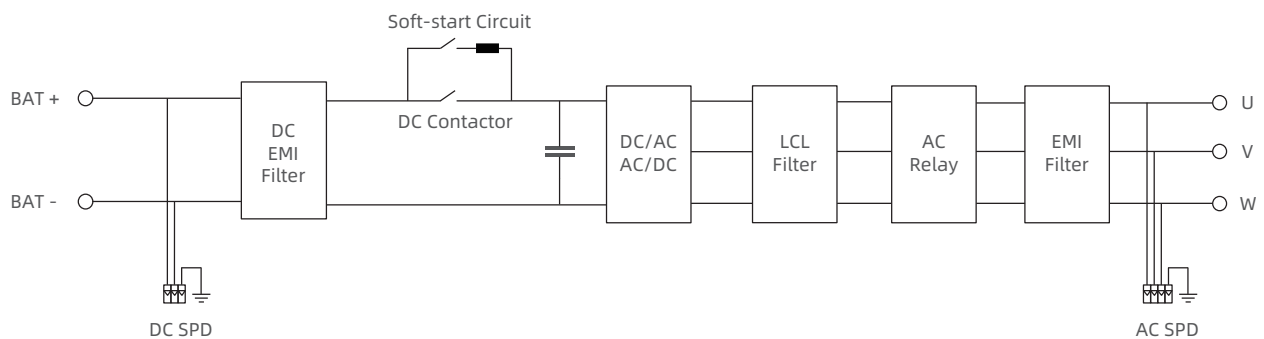
ESHV Series 186~290kW



FEATURES

- Small size & high power density
- Modular design enables accurate management of battery
- IP66 & optional C4~C5 anti-corrosion degree for harsh environment
- Support up to 24 units in parallel connection
- Equipped with grid-forming function
- Variable-speed fans for quiet operation

TOPOLOGICAL GRAPH



PARAMETERS

Model	ESHV186K80-A-G01	ESHV200K80-A-G01	ESHV215K80-A-G01	ESHV250K80-A-G01	ESHV290K80-A-G01
DC Input					
DC Voltage Range	1160~1500V				
Max. DC Current	180A	194A	208A	242A	281A
AC Output					
Rated Power	186kW	200kW	215kW	250kW	290kW
Max. Output Power	205kW	220kW	237kW	275kW	319kW
AC Connection	3W+PE				
Isolation	Non-isolated				
Grid-forming Function	Support				
On-grid					
Rated Grid Voltage	800V				
Voltage Range	680~880V				
Rated Grid Frequency	50Hz / 60Hz				
Frequency Range	45~55Hz / 55~65Hz				
THDi	<3% (at rated power)				
Power Factor	-1~1				
Charge/Discharge Switchover Time	<20ms				
Off-grid					
Rated Output Voltage	800V				
Voltage Imbalance	<2% (steady-state), ≤4% (transient)				
THDu	<3% (no load or rated resistive load)				
Overvoltage Protection	Settable				
Undervoltage Protection	Settable				
General Data					
Grounding System	IT				
Operating Ambient Temperature Range	-40~+60°C (derating above 45°C)				
Allowable Relative Humidity Range	0~95%				
Allowable Altitude Range	<4000m (derating above 3000m)				
DI Port	4				
DO Port	2				
Anti-corrosion Class	C4 (C5 optional)				
Surge Protection	DC Type II / AC Type II				
Wiring Method	Bottom in and bottom out (via quick plug terminals)				
Protection Degree	IP66				
Cooling Method	Smart Air-cooling				
Indicator	LED Indicator				
Communication Interface	Ethernet / RS485 / CAN / Local debugging WiFi (optional)				
Communication Protocol	Modbus TCP / Modbus RTU / CAN 2.0				
Dimensions (W*D*H)	795*294*915mm (excludes hanging board)				
Weight	≤100kg (net weight)				
Standard Compliance	IEC 61000, IEC 62920. (Please contact Hopewind team for latest certifications)				

