

# HSNV60/70/75/ 100/110K-G01



## FEATURES

### ↑ Efficient

- 4 MPPTs with Max. efficiency of 98.50%
- 110% AC overloading
- Up to 20A of MPPT current input to support 210mm & bifacial PV modules

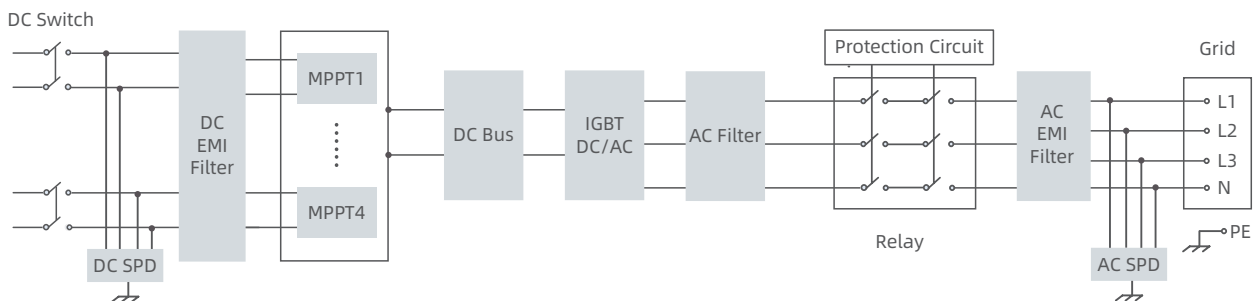
### ⚡ Reliable

- High precisely & intelligent string detection
- Built-in SPD for surge protection & AFCI function
- Wide AC voltage range for unstable grid
- Built-in PID recovery module (optional)

### 🏆 User Friendly

- Built-in zero export function interface
- Supports country grid code preset
- 24/7 monitoring & remote firmware upgrade
- Near-end commissioning via APP

## TOPOLOGICAL GRAPH



# PARAMETERS

Model	HSNV60K-G01	HSNV70K-G01	HSNV75K-G01	HSNV100K-G01	HSNV110K-G01
<b>DC Input</b>					
Max. Input Voltage	1100 V				
Starting Voltage	200 V				
MPPT Voltage Range	200~1000 V				
Max. Input Current Per MPPT	45 A / 45 A / 45 A / 45 A			65 A / 65 A / 65 A / 65 A	
Max. Short-circuit Current	60 A / 60 A / 60 A / 60 A			100 A / 100 A / 100 A / 100 A	
Number of DC Inputs	3 / 3 / 3 / 3		4 / 3 / 3 / 4	5 / 5 / 5 / 5	
Number of MPP Trackers	4				
<b>AC Output</b>					
Rated Output Power	60 kW	70 kW	75 kW	100 kW	110 kW
Max. Output Power	66 kW	77 kW	82.5 kW	110 kW	121 kW
Rated Output Voltage	230 V / 400 V (3W + N + PE)				
Operating Voltage Range	300~520 V				
Rated Output Current	86.6 A	101.0 A	108.3 A	144.3 A	158.8 A
Max. Output Current	95.3 A	111.1 A	119.1 A	158.8 A	174.7 A
Rated Grid Frequency	50 Hz / 60 Hz				
Grid Frequency Range	45~55 Hz / 55~65 Hz				
Power Factor	>0.99 (0.8 leading~0.8 lagging)				
Harmonic (THDi)	<3% (at rated power)				
<b>Efficiency</b>					
Max. Efficiency	98.50%			98.60%	
European Efficiency	98.20%			98.30%	
<b>Protection</b>					
Surge Protection	DC type II / AC type II				
PV Reverse Polarity Protection	Yes				
Insulation Impedance Detection	Yes				
Residual Leakage Current Detection	Yes				
Output Overcurrent Protection	Yes				
Anti-islanding Protection	Yes				
Zero Export Function	Yes				
PV String Connection Detection	Yes				
Arc Fault Circuit Interrupter (AFCI)	Yes				
DC Switch	Yes				
I/V Curve Scanning	/			Yes	
Optional	PID recovery				
<b>General Parameters</b>					
Dimensions (W × H × D)	792 × 742 × 313 mm			890 × 814 × 343 mm	
Weight	≤75 kg			≤85 kg	
Ingress Protection	IP65				
Operating Temperature Range	-40~+60°C				
Cooling System	Smart air cooling				
Topology	Transformerless				
Operating Altitude	4000 m (>3000 m derating)				
Display	LED, WLAN + APP				
Communication	RS485 / Wi-Fi				
DC Connection Type	DC connector (4~6 mm <sup>2</sup> )				
AC Connection Type	OT / DT terminal				
<b>Standard Compliance (More Available Upon Request)</b>					
Certification	IEC 62109, IEC 61000, IEC 61727, IEC 62116, IEC 60068, IEC 61683, EN 50549-1, EN 50549-2, VDE 4105, VDE 4110, VDE 4120				

