

HSNV60/100/ 110K-G03



FEATURES



Efficient Power Generation

- 4 MPPTs with Max. efficiency of 98.70%
- MPPT current of 65A, fully compatible with 180/210 modules
- Wide temperature range, supports full-load operation at 45°C
- Supports PID recovery function, enhances system power generation



Safe and Reliable

- High-precision intelligent string detection, accurate fault identification
- Equipped with intelligent DC disconnection functions for higher safety
- Featuring temperature detection for both AC and DC terminals, enhances safety and reliability
- Built-in AC/DC SPD for comprehensive lightning protection
- IP66 ingress protection, a strong environmental adaptability



Smart and User-friendly

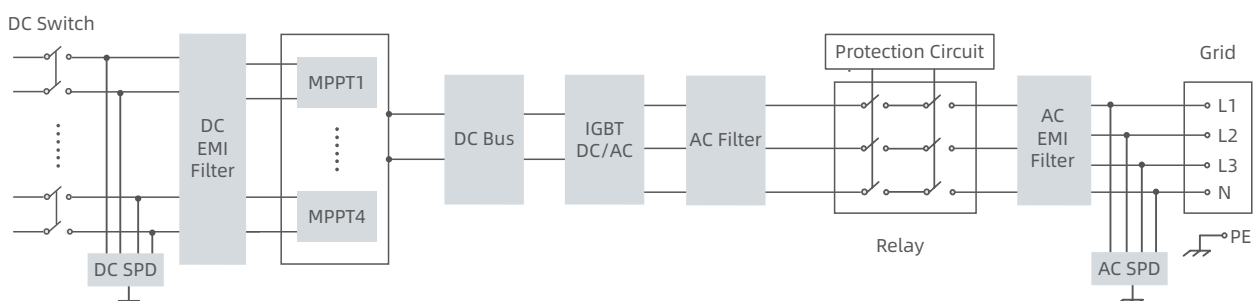
- Smart air cooling design to ensure stable system operation
- With active reactive power regulation, zero-voltage ride-through function
- AC/DC redundant design, 24-hour real-time monitoring



Economical and Eco-friendly

- Dual independent 485 communication, support multi-platform independent monitoring
- Supports up to 240mm² of aluminum wire connections, reduces cable costs
- Integrated tracking power supply and communication port for lower system cost

TOPOLOGICAL GRAPH



PARAMETERS

Model	HSNV60K-G03	HSNV100K-G03	HSNV110K-G03
DC Input			
Max. Input Voltage	1100 V		
Starting Voltage	200 V		
MPPT Voltage Range	200~1000 V		
Max. Current Per MPPT	65 A		
Max. Short-circuit Current Per MPPT	100 A		
Number of DC Inputs	4 × 3	4 × 4	
Number of MPP Trackers	4		
AC Output			
Rated Output Power	60 kW	100 kW	110 kW
Max. Output Power	66 kW	110 kW	121 kW
Rated Output Voltage	230 V / 400 V (3W + N + PE)		
Operating Voltage Range	300~500 V		
Rated Output Current	86.6 A	144.3 A	158.8 A
Max. Output Current	95.3 A	158.8 A	174.7 A
Rated Grid Frequency	50 Hz / 60 Hz		
Power Factor	>0.99 (0.8 leading~0.8 lagging)		
Harmonic (THDi)	<3% (at rated power)		
Efficiency			
Max. Efficiency	98.70%		
European Efficiency	98.40%		
Protection			
Surge Protection	DC type II / AC type II		
PV Reverse Polarity Protection	Yes		
Insulation Impedance Detection	Yes		
Residual Leakage Current Detection	Yes		
Output Overcurrent Protection	Yes		
Anti-islanding Protection	Yes		
DC Switch Automatic Trip	Yes		
Zero Export Function	Yes		
PV String Connection Detection	Yes		
DC&AC Terminal Temperature Detection	Yes		
Rapid Shutdown (RSD, External)	Yes		
Arc Fault Circuit Interrupter (AFCI)	Yes		
PID Recovery	Yes		
I/V Curve Scanning	Yes		
General Parameters			
Dimensions (W × H × D)	953 × 657 × 384 mm		
Weight	≤76 kg		
Ingress Protection	IP66		
Operating Temperature Range	-25~+60°C		
Cooling System	Smart air cooling		
Anti-corrosion	C5 (optional)		
Topology	Transformerless		
Operating Altitude	4000 m (>3000 m derating)		
Display	LED, Wi-Fi + APP		
Communication	RS485 / Wi-Fi / PLC (optional)		
DC Connection Type	DC connector (4~6 mm ²)		
AC Connection Type	OT / DT / DTL terminal (≤240 mm ²)		
Standard Compliance (More Available Upon Request)			
Certification	IEC 62109, IEC 61000, IEC 62920, IEC 61727, IEC 62116, IEC 60068, IEC 61683, EN 50549-1, EN 50549-2		

