

HOPEWIND

GREEN C&I SOLUTION

PV Grid-tied Inverter

HSNV60/70/75/ 100/110K-G02



FEATURES



Efficient

- 4 MPPTs with Max. efficiency of 98.70%
- 110% AC overloading
- Up to 20A of MPPT current input to support 210mm & bifacial PV modules



User Friendly

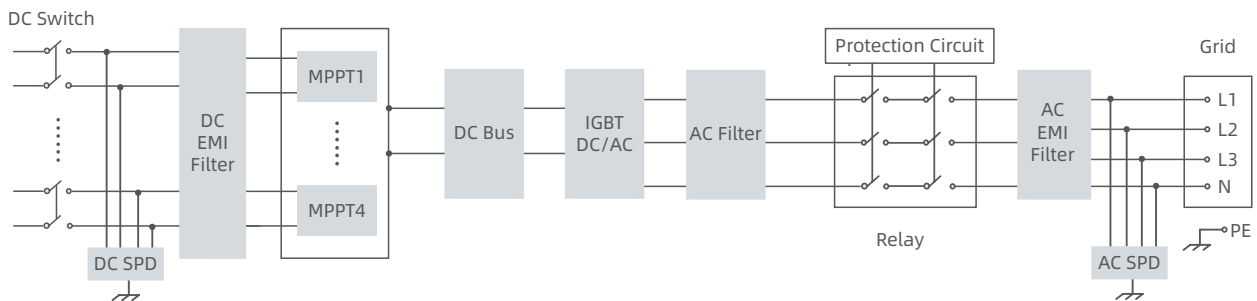
- Built-in zero export function interface
- Supports country grid code preset
- 24/7 monitoring & remote firmware upgrade
- Near-end commissioning via APP



Reliable

- High precisely & intelligent string detection
- DC&AC SPD and DC&AC terminal temperature detection for extra safety
- Wide AC voltage range for unstable grid
- Built-in PID recovery module and many other optional functions

TOPOLOGICAL GRAPH



PARAMETERS

Model	HSNV60K-G02	HSNV70K-G02	HSNV75K-G02	HSNV100K-G02	HSNV110K-G02
DC Input					
Max. Input Voltage	1100 V				
Starting Voltage	200 V				
MPPT Voltage Range	200~1000 V				
Max. Current Per MPPT	65 A				
Max. Short-circuit Current Per MPPT	100 A				
Number of DC Inputs	4 × 4			4 × 5	
Number of MPP Trackers	4				
AC Output					
Rated Output Power	60 kW	70 kW	75 kW	100 kW	110 kW
Max. Output Power	66 kW	77 kW	82.5 kW	110 kW	121 kW
Rated Output Voltage	230 V / 400 V (3W + N + PE)				
Operating Voltage Range	300~500 V				
Rated Output Current	86.6 A	101.0 A	108.3 A	144.3 A	158.8 A
Max. Output Current	95.3 A	111.1 A	119.1 A	158.8 A	174.7 A
Rated Grid Frequency	50 Hz / 60 Hz				
Power Factor	>0.99 (0.8 leading~0.8 lagging)				
Harmonic (THDi)	<3% (at rated power)				
Efficiency					
Max. Efficiency	98.70%				
European Efficiency	98.40%				
Protection					
Surge Protection	DC type II / AC type II				
PV Reverse Polarity Protection	Yes				
Insulation Impedance Detection	Yes				
Residual Leakage Current Detection	Yes				
Output Overcurrent Protection	Yes				
Anti-islanding Protection	Yes				
I/V Curve Scanning	Yes				
Zero Export Function	Yes				
PV String Connection Detection	Yes				
DC&AC Terminal Temperature Detection	Yes				
SVG	Yes				
Arc Fault Circuit Interrupter (AFCI)	Yes				
DC Switch	Yes				
Optional	PID recovery, RSD (Tigo)				
General Parameters					
Dimensions (W × H × D)	953 × 657 × 384 mm				
Weight	≤85 kg				
Ingress Protection	IP66				
Operating Temperature Range	-25~+60°C				
Cooling System	Smart air cooling				
Anti-corrosion	C5 (optional)				
Topology	Transformerless				
Operating Altitude	4500 m (>3000 m derating)				
Display	LED, Wi-Fi + APP				
Communication	RS485 / Wi-Fi, PLC (optional)				
DC Connection Type	DC connector (4~6 mm ²)				
AC Connection Type	OT / DT / DTL terminal (≤240 mm ²)				
Standard Compliance (More Available Upon Request)					
Certification	IEC 62109, IEC 61000, IEC 62920, IEC 61727, IEC 62116, IEC 60068, IEC 61683, EN 50549-1, EN 50549-2				

