

HOPEWIND

GREEN C&I SOLUTION

PV Grid-tied Inverter

hopeSun 60-110KTL



FEATURES

High-efficiency

- 4 MPPTs with Max. efficiency 98.60%
- 20A input current, compatible with 210mm PV modules
- Night SVG function (optional)

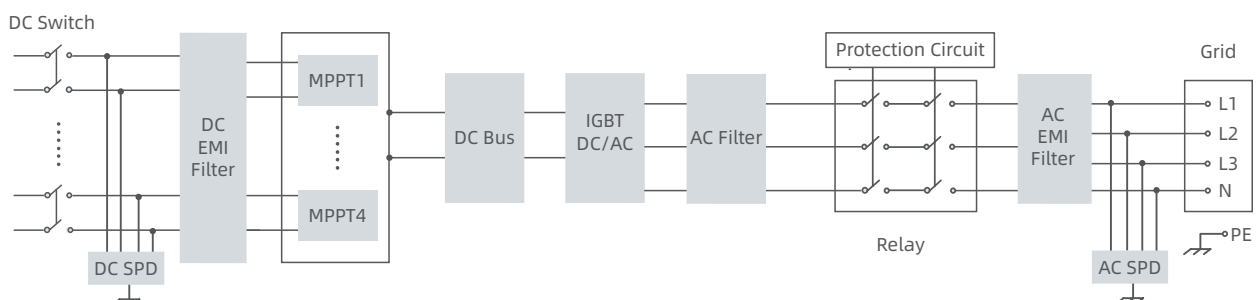
Reliability

- Smart air cooling
- Built-in Type II DC&AC SPD
- Built-in PID recovery function (optional)

User Friendly

- Built-in zero export function interface
- Touch free commissioning via APP
- AC and DC redundant power supply

TOPOLOGICAL GRAPH



PARAMETERS

Model	hopeSun 60KTL	hopeSun 70KTL	hopeSun 75KTL	hopeSun 100KTL	hopeSun 110KTL
DC Input					
Max. PV Input Power	90 kW	105 kW	112.5 kW	150 kW	165 kW
Max. Input Voltage	1100 V				
Starting Voltage	200 V				
MPPT Voltage Range	200~1000 V				
MPPT Range Full Load	520~850 V			550~850 V	
Max. Input Current Per MPPT	45 A / 45 A / 45 A / 45 A			65 A / 65 A / 65 A / 65 A	
Max. Short-circuit Current	60 A / 60 A / 60 A / 60 A			100 A / 100 A / 100 A / 100 A	
Number of DC Inputs	3 / 3 / 3 / 3		4 / 3 / 3 / 4	5 / 5 / 5 / 5	
Number of MPP Trackers	4				
AC Output					
Rated Output Power	60 kW	70 kW	75 kW	100 kW	110 kW
Max. Output Power	66 kW	77 kW	82.5 kW	110 kW	121 kW
Rated Output Voltage	230 V / 400 V (3W + N + PE)				
Operating Voltage Range	300~520 V				
Rated Output Current	86.6 A	101.0 A	108.3 A	144.3 A	158.8 A
Max. Output Current	95 A	111 A	119 A	158.8 A	174.6 A
Rated Grid Frequency	50 Hz / 60 Hz				
Power Factor	>0.99 (0.8 leading~0.8 lagging)			>0.99 (0.9 leading~0.9 lagging)	
Harmonic (THDi)	<3% (at rated power)				
Efficiency					
Max. Efficiency	98.50%			98.60%	
European Efficiency	98.20%			98.30%	
Protection					
Surge Protection	DC type II / AC type II				
Insulation Impedance Detection	Yes				
Residual Leakage Current Detection	Yes				
PV String Connection Detection	Yes				
PV Reverse Polarity Protection	Yes				
Anti-islanding Protection	Yes				
Output Overcurrent Protection	Yes				
DC Switch	Yes				
Zero Export Function	/			Yes	
General Parameters					
Dimensions (W × H × D) ^①	705 × 650 × 297 mm			800 × 670 × 330 mm	
Weight	≤75 kg			≤89 kg	
Protection Degree	IP65				
Operating Temperature Range	-40~+60°C				
Cooling System	Smart air cooling				
Topology	Transformerless				
Operating Altitude	4000 m (>3000 m derating)				
Display	LED, WLAN + APP				
Communication	RS485 / Wi-Fi				
DC Connection Type	DC connector (4~6 mm ²)				
AC Connection Type	OT / DT / DTL terminal				

① The dimension does not contain hangers, handles and other components. Please refer to the User Manual for detailed dimensions.

