

HOPEWIND

GREEN C&I SOLUTION

PV Grid-tied Inverter

hopeSun 36-50KTL



FEATURES

High-efficiency

- 2 MPPTs with Max. efficiency 98.60%
- 20A input current, compatible with 210mm PV modules
- High precision & intelligent string detection

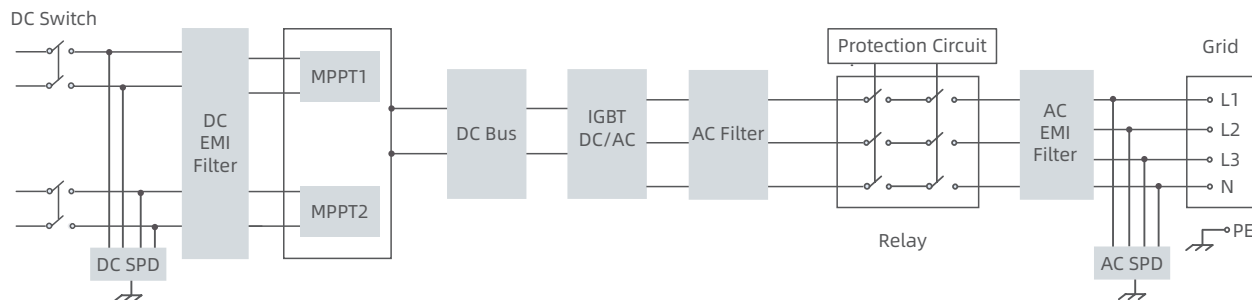
Reliability

- Smart air cooling
- Built-in Type II DC&AC SPD

User Friendly

- Built-in zero export function interface
- Touch free commissioning via APP
- Compatible with Al and Cu AC cable

TOPOLOGICAL GRAPH



PARAMETERS

Model	hopeSun 36KTL	hopeSun 40KTL	hopeSun 50KTL
DC Input			
Max. PV Input Power	54 kW	60 kW	75 kW
Max. Input Voltage	1100 V		
Starting Voltage	200 V		
MPPT Voltage Range	200~1000 V		
MPPT Range Full Load	375~850 V		450~850 V
Max. Input Current Per MPPT	45 A / 45 A	54 A / 54 A	60 A / 60 A
Max. Short-circuit Current	67.5 A / 67.5 A	81 A / 81 A	90 A / 90 A
Number of DC Inputs	3 / 3	5 / 4	
Number of MPP Trackers	2		
AC Output			
Rated Output Power	36 kW	40 kW	50 kW
Max. Output Power	39.6 kW	44 kW	55 kW
Rated Output Voltage	230 V / 400 V (3W + N + PE)		
Operating Voltage Range	300~520 V		
Rated Output Current	52.0 A	57.7 A	72.2 A
Max. Output Current	57.2 A	64 A	80 A
Rated Grid Frequency	50 Hz / 60 Hz		
Power Factor	>0.99 (0.8 leading~0.8 lagging)		
Harmonic (THDi)	<3% (at rated power)		
Efficiency			
Max. Efficiency	98.60%		
European Efficiency	98.30%		
Protection			
Surge Protection	DC type II / AC type II		
Insulation Impedance Detection	Yes		
Residual Leakage Current Detection	Yes		
PV String Connection Detection	Yes		
PV Reverse Polarity Protection	Yes		
Anti-islanding Protection	Yes		
Output Overcurrent Protection	Yes		
DC Switch	Yes		
Zero Export Function	Yes		
General Parameters			
Dimensions (W × H × D)	520 × 520 × 265 mm		
Weight	≤44 kg		
Protection Degree	IP65		
Operating Temperature	-40~+60°C		
Cooling System	Smart air cooling		
Topology	Transformerless		
Operating Altitude	4000 m (>3000 m derating)		
Display	LED, WLAN + APP		
Communication	RS485 / Wi-Fi		
DC Connection Type	DC connector (4~6 mm ²)		
AC Connection Type	OT / DT terminal		

