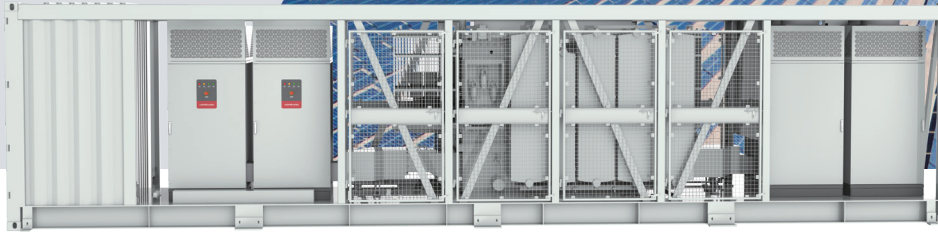


HOPEWIND

CENTRAL INVERTER 8.8MW

**HPHV
2250-600**

TIER 1
BloombergNEF
—
Hopewind is ranked as
Tier 1 Solar Inverter Maker by BNEF



FEATURES



Better Performance

- Use liquid-cooled system, operates at 1.1 times capacity at 45°C and maintains full performance up to 51°C
- Four 2.2MW inverters integrated into a 8.8MW centralized inverter, achieves 99.02% efficiency, ensuring superior power generation



Safe and Reliable

- Supports optical fiber internet communication for real-time and high-quality monitoring of PV system
- IP65 outdoor protection design
- Features intelligent tripping, anti-islanding, functions for enhanced safety and reliability



Grid Friendly

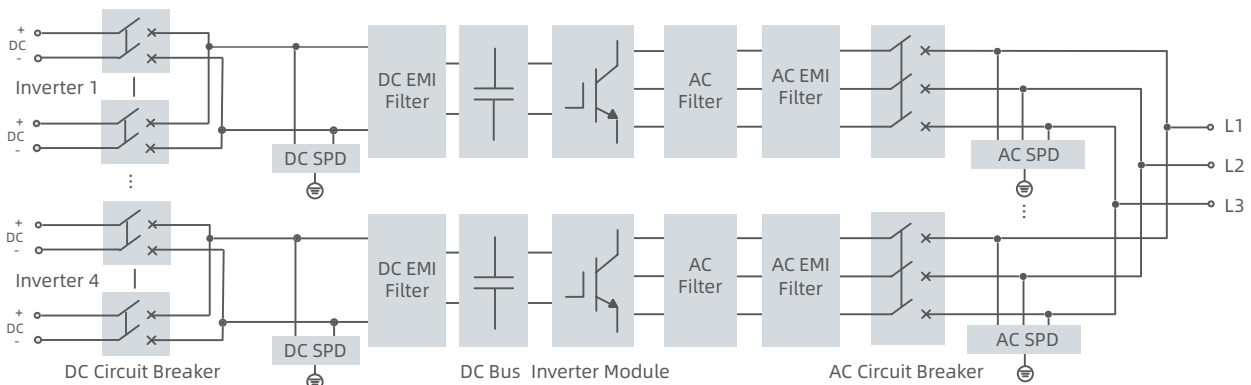
- Voltage-source inverter with grid-forming capability
- Operates stably in low SCR grid conditions
- Supports HVRT/LVRT and active/reactive power dispatch for grid support



Lower Cost

- High power density reduces installation costs
- Equipped with nighttime SVG function, saving on initial SVG investment

TOPOLOGICAL GRAPH



PARAMETERS

Model	HPHV2250-600
DC Input	
Max. Input Voltage	1500 V
Starting Voltage	870 V
MPPT Voltage Range	875~1500 V
Max. Current Per MPPT	1457 A
Max. String Current	289 A
Number of DC Inputs	12 (10, 14 optional)
Number of MPP Trackers	2
AC Output	
Rated Output Power	2.25 MW
Max. Output Power	2.5 MW
Rated Output Voltage	600 V
Operating Voltage Range	510~690 V
Rated Output Current	2165 A
Max. Output Current	2405 A
Rated Grid Frequency	50Hz / 60Hz
Power Factor	>0.99 (0.8 leading~0.8 lagging)
Harmonic (THDi)	<0.5% (at rated output current)
Efficiency	
Max. Efficiency	99.02%
European Efficiency	98.80%
Protection	
Insulation Impedance Detection	Yes
Output Overcurrent Protection	Yes
Anti-Islanding Protection	Yes
Anti-PID Function	Yes
Night SVG	Yes
VSG	Yes
General Parameters	
Dimensions (W × H × D)	1000 × 2410 × 1500 mm
Weight	≤2700 kg
Ingress Protection	IP65
Operating Temperature Range	-35~+60°C
Cooling System	Smart air-cooling and liquid-cooling
Relative Humidity	4~100%, no condensation
Operating Altitude	4000 m (>3000 m derating)
Anti-Corrosion Degree	C4 (C5 optional)
Display	LED, Wi-Fi + APP (optional)
Communication	Ethernet, RS485, MPLC / Wi-Fi (optional)
Standard Compliance (More Available Upon Request)	
Compliance (Expected)	IEC 62109, IEC 61000, IEC 61727, IEC 62477, IEC 61683, IEC 62116, EN 50549-1, EN 50549-2

Note: The contents of the preliminary version are parameters for planned development and do not constitute a commitment to product performance.



Shenzhen Hopewind Electric Co., Ltd. All rights reserved. Information may be subject to change without notice.