

HOPEWIND

GREEN RESIDENTIAL SOLUTION

hopeSun 8-33KTL



TIER 1
BloombergNEF

Hopewind is ranked as
Tier 1 Solar Inverter Maker by BNEF

FEATURES



High-efficiency

- 2 MPPTs with Max. efficiency 98.60%
- 20A input current, compatible with 210mm PV modules
- High precision & intelligent string detection



User Friendly

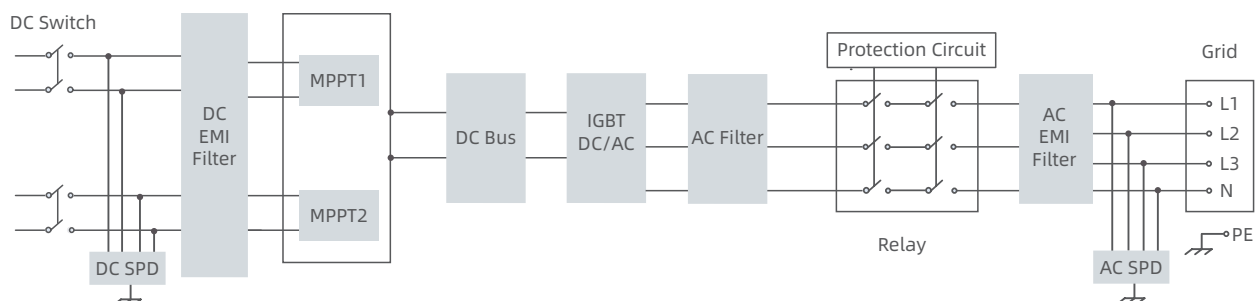
- Built-in zero export function interface
- Touch free commissioning via APP
- Remote firmware updates



Reliability

- Under/over voltage protection
- Anti-islanding protection
- Built-in Type II DC&AC SPD

TOPOLOGICAL GRAPH



PARAMETERS

Model	hopeSun 8KTL	hopeSun 10KTL	hopeSun 12KTL	hopeSun 15KTL	hopeSun 17KTL	hopeSun 20KTL	hopeSun 22KTL	hopeSun 25KTL	hopeSun 30KTL	hopeSun 33KTL	
DC Input											
Max. PV Input Power	12 kW	15 kW	18 kW	22.5 kW	25.5 kW	30 kW	33 kW	37.5 kW	45 kW	49.5 kW	
Max. Input Voltage	1100 V										
Starting Voltage	180 V										
MPPT Voltage Range	200~1000 V										
MPPT Range Full Load	370~850 V			450~850 V			425~850 V				
Max. Input Current Per MPPT	20 A / 20 A			26 A / 20 A		30 A / 30 A		40 A / 40 A			
Max. Short-circuit Current	30 A / 30 A			39 A / 30 A		45 A / 45 A		60 A / 60 A			
Number of DC Inputs	1 / 1			2 / 1		2 / 2			3 / 3		
Number of MPP Trackers	2										
AC Output											
Rated Output Power	8 kW	10 kW	12 kW	15 kW	17 kW	20 kW	22 kW	25 kW	30 kW	33 kW	
Max. Output Power	8.8 kW	11 kW	13.2 kW	16.5 kW	18.7 kW	22 kW	24.2 kW	27.5 kW	33 kW	36.3 kW	
Rated Output Voltage	230 V / 400 V (3P + N + PE)										
Operating Voltage Range	300~520 V										
Rated Output Current	11.6 A	14.5 A	17.4 A	21.7 A	24.6 A	28.9 A	31.8 A	36.1 A	43.5 A	47.6 A	
Max. Output Current	12.7 A	16.0 A	19.1 A	23.9 A	27.0 A	31.8 A	35.0 A	39.7 A	47.8 A	52.4 A	
Rated Grid Frequency	50 Hz / 60 Hz										
Power Factor	>0.99 (0.8 leading-0.8 lagging)										
Harmonic (THD)	<3% (at rated power)										
Efficiency											
Max. Efficiency	98.60%										
European Efficiency	98.10%							98.30%			
Protection											
Surge Protection	DC type II / AC type II										
Insulation Impedance Detection	Yes										
Residual Leakage Current Detection	Yes										
PV String Fault Detection	Yes										
PV Reverse Polarity Protection	Yes										
Anti-Islanding Protection	Yes										
Output Overcurrent Protection	Yes										
DC Switch	Yes										
Zero Export Function	Yes										
General Parameters											
Dimensions (W × H × D)	380 × 400 × 247 mm					380 × 450 × 247 mm					
Weight	≤22 kg					≤25 kg	≤30 kg	≤35 kg			
Protection Degree	IP65										
Operating Temperature Range	-40~+60°C										
Cooling System	Natural cooling				Smart air cooling						
Topology	Transformerless										
Operating Altitude	4000 m (>3000 m derating)										
Display	LED, WLAN + APP										
Communication	Wi-Fi										
DC Connection Type	MC4										
AC Connection Type	SC terminal					Tube type terminal			OT/ DT terminal		

