

HOPEWIND

GREEN C&I SOLUTION

HSNV60/70/ 75K-G01



TIER 1
BloombergNEF

Hopewind is ranked as
Tier 1 Solar Inverter Maker by BNEF

FEATURES



Efficient

- 4 MPPTs with Max. efficiency of 98.50%
- 110% AC overloading
- Up to 20A of MPPT current input to support 210mm & bifacial PV modules



User Friendly

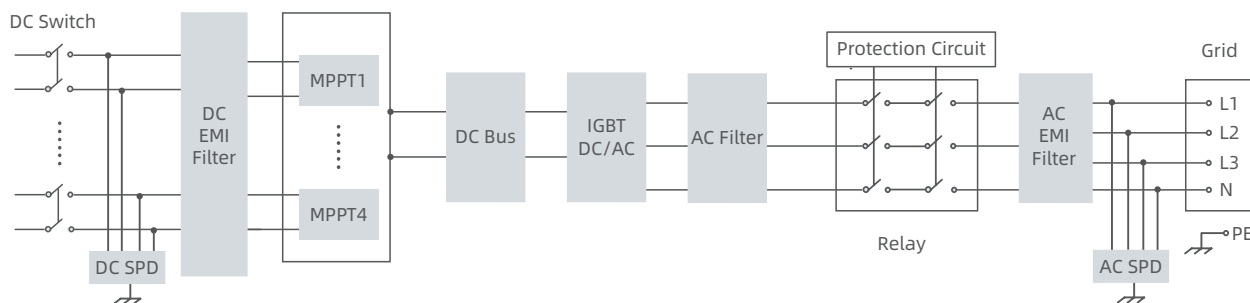
- Built-in zero export function interface
- Supports country grid code preset
- 24/7 monitoring & remote firmware upgrade
- Near-end commissioning via APP



Reliable

- High precisely & intelligent string detection
- Built-in SPD for surge protection & AFCI function
- Wide AC voltage range for unstable grid
- Built-in PID recovery module (optional)

TOPOLOGICAL GRAPH



PARAMETERS

Model	HSNV60K-G01	HSNV70K-G01	HSNV75K-G01
DC Input			
Max. Input Voltage	1100 V		
Starting Voltage	180 V		
MPPT Voltage Range	200~1000 V		
Max. Input Current Per MPPT	45 A / 45 A / 45 A / 45 A		
Max. Short-circuit Current	60 A / 60 A / 60 A / 60 A		
Number of DC Inputs	3 / 3 / 3 / 3		4 / 3 / 3 / 4
Number of MPP Trackers	4		
AC Output			
Rated Output Power	60 kW	70 kW	75 kW
Max. Output Power	66 kW	77 kW	82.5 kW
Rated Output Voltage	230 V / 400 V (3P + N + PE)		
Operating Voltage Range	300~520 V		
Rated Output Current	86.6 A	101.0 A	108.3 A
Max. Output Current	95.3 A	111.1 A	119.1 A
Rated Grid Frequency	50 Hz / 60 Hz		
Power Factor	>0.99 (0.8 leading~0.8 lagging)		
Harmonic (THDi)	<3% (at rated power)		
Efficiency			
Max. Efficiency	98.50%		
European Efficiency	98.20%		
Protection			
PV Reverse Polarity Protection	Yes		
Insulation Impedance Detection	Yes		
Residual Leakage Current Detection	Yes		
Output Overcurrent Protection	Yes		
Anti-Islanding Protection	Yes		
DC Surge Protection	Type II		
AC Surge Protection	Type II		
Zero Export Function	Yes		
PV String Monitoring	Yes		
Arc Fault Circuit Interrupter (AFCI)	Yes		
PID Recovery	Optional		
DC Switch	Yes		
General Parameters			
Dimensions (W × H × D)	705 × 650 × 285 mm		
Weight	≤80 kg		
Ingress Protection	IP65		
Operating Temperature Range	-40~+60°C		
Cooling System	Smart air cooling		
Topology	Transformerless		
Operating Altitude	4000 m (>3000 m derating)		
Display	LED, WLAN + APP		
Communication	RS485 / Wi-Fi		
DC Connection Type	MC4		
AC Connection Type	OT / DT terminal		
Standard Compliance (More Available Upon Request)			
Certification	IEC 62109, IEC 61000, IEC 61727, IEC 62116, IEC 60068, IEC 61683, EN 50549-1, EN 50549-2, VDE 4105, VDE 4110, VDE 4120		

