

**HOPEWIND**

GREEN C&I SOLUTION

# HSNV100/110K -G01



**TIER 1**  
BloombergNEF

Hopewind is ranked as  
Tier 1 Solar Inverter Maker by BNEF

## FEATURES



### Efficient

- 4 MPPTs with Max. efficiency of 98.60%
- 110% AC overloading
- Up to 20A of MPPT current input to support 210mm & bifacial PV modules



### User Friendly

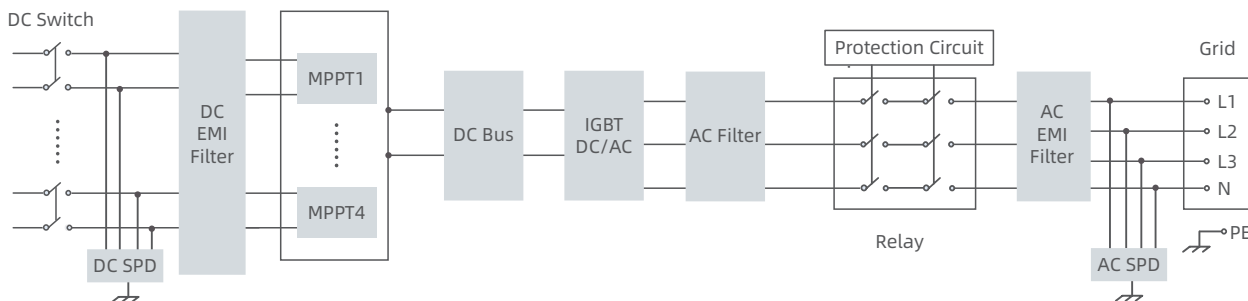
- Built-in zero export function interface
- Supports country grid code preset
- 24/7 monitoring & remote firmware upgrade
- Near-end commissioning via APP



### Reliable

- High precisely & intelligent string detection
- Built-in SPD for surge protection & AFCI function
- Wide AC voltage range for unstable grid
- Built-in PID recovery module (optional)

## TOPOLOGICAL GRAPH



# PARAMETERS

Model	HSNV100K-G01	HSNV110K-G01
<b>DC Input</b>		
Max. Input Voltage	1100 V	
Starting Voltage	180 V	
MPPT Voltage Range	200~1000 V	
Max. Input Current Per MPPT	65 A / 65 A / 65 A / 65 A	
Max. Short-circuit Current	100 A / 100 A / 100 A / 100 A	
Number of DC Inputs	5 / 5 / 5 / 5	
Number of MPP Trackers	4	
<b>AC Output</b>		
Rated Output Power	100 kW	110 kW
Max. Output Power	110 kW	121 kW
Rated Output Voltage	230 V / 400 V (3P + N + PE)	
Operating Voltage Range	300~520 V	
Rated Output Current	144.3 A	158.8 A
Max. Output Current	158.8 A	174.7 A
Rated Grid Frequency	50 Hz / 60 Hz	
Power Factor	>0.99 (0.8 leading~0.8 lagging)	
Harmonic (THDi)	<3% (at rated power)	
<b>Efficiency</b>		
Max. Efficiency	98.60%	
European Efficiency	98.30%	
<b>Protection</b>		
PV Reverse Polarity Protection	Yes	
Insulation Impedance Detection	Yes	
Residual Leakage Current Detection	Yes	
Output Overcurrent Protection	Yes	
Anti-Islanding Protection	Yes	
DC Surge Protection	Type II	
AC Surge Protection	Type II	
I/V Curve Scanning	Optional	
Zero Export Function	Yes	
PV String Monitoring	Yes	
Arc Fault Circuit Interrupter (AFCI)	Yes	
PID Recovery	Optional	
DC Switch	Yes	
<b>General Parameters</b>		
Dimensions (W × H × D)	800 × 690 × 330 mm	
Weight	≤94 kg	
Ingress Protection	IP65	
Operating Temperature Range	-40~+60°C	
Cooling System	Smart air cooling	
Topology	Transformerless	
Operating Altitude	4000 m (>3000 m derating)	
Display	LED, WLAN + APP	
Communication	RS485 / Wi-Fi	
DC Connection Type	MC4	
AC Connection Type	OT / DT terminal	
<b>Standard Compliance (More Available Upon Request)</b>		
Certification	IEC 62109, IEC 61000, IEC 61727, IEC 62116, IEC 60068, IEC 61683, EN 50549-1, EN 50549-2, VDE 4105, VDE 4110, VDE 4120	

