

HOPEWIND

GREEN UTILITY SOLUTION

hopeSunHV 250KTL

TIER 1

BloombergNEF

Hopewind is ranked as
Tier 1 Solar Inverter Maker by BNEF



FEATURES



High-efficiency

- 12 MPPTs with Max. efficiency 99.01%
- Compatible with 500Wp + bifacial modules
- Highly-precise intelligent string detection



User Friendly

- Active and reactive power regulation
- Compatible with weak grid situation
- Remote firmware upgrade



Reliable

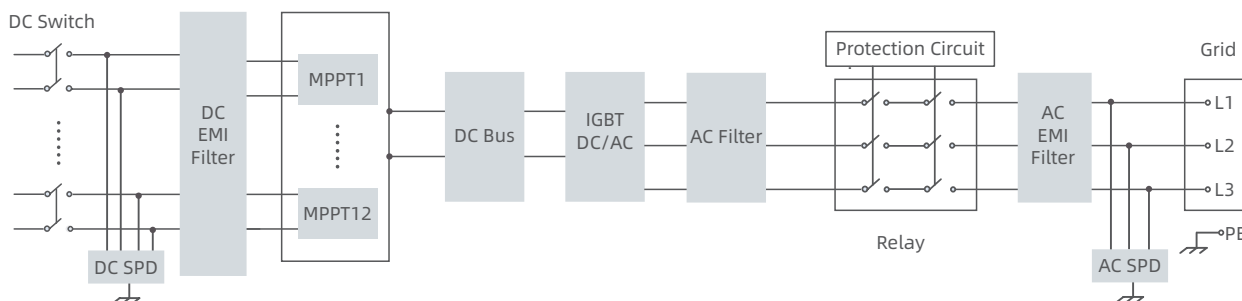
- Built-in Type II DC SPD & AC SPD
- Built-in PID recovery function
- Compatible in harsh environmental conditions



Economy Friendly

- Compatible with Aluminium cable
- PLC communication to reduce cost
- Night SVG function (optional)

TOPOLOGICAL GRAPH



PARAMETERS

Model	hopeSunHV 250KTL
DC Input	
Max. PV Input Power	375 kW
Max. Input Voltage	1500 V
Starting Voltage	500 V
MPPT Voltage Range	500~1500 V
MPPT Range Full Load	820~1320 V
Max. Input Current Per MPPT	12 × 30 A
Max. Short-circuit Current	12 × 45 A
Number of DC Inputs	12 × 2
Number of MPP Trackers	12
AC Output	
Rated Output Power	250 kW
Max. Output Power	255 kW
Rated Output Voltage	800 V (3P + PE)
Operating Voltage Range	680~880 V
Rated Output Current	180.4 A
Max. Output Current	184 A
Rated Grid Frequency	50 Hz / 60 Hz
Power Factor	>0.99 (0.8 leading~0.8 lagging)
Harmonic (THD)	<3% (at rated power)
Efficiency	
Max. Efficiency	99.01%
European Efficiency	98.55%
Protection	
Surge Protection	DC type II / AC type II
Insulation Impedance Detection	Yes
Residual Leakage Current Detection	Yes
PV String Fault Detection	Yes
PV Reverse Polarity Protection	Yes
Anti-Islanding Protection	Yes
Output Overcurrent Protection	Yes
DC Switch	Yes
General Parameters	
Dimensions (W × H × D)	1090 × 809 × 337 mm
Weight	≤115 kg
Protection Degree	IP66
Operating Temperature Range	-25~+60°C
Cooling System	Smart air cooling
Standby Power Consumption	<10 W
Topology	Transformerless
Operating Altitude	4000 m (>3000 m derating)
Display	LED indicator
Communication	RS485 / PLC
DC Connection Type	MC4
AC Connection Type	OT / DT terminal

