

HPPS Series

TIER 1
BloombergNEF

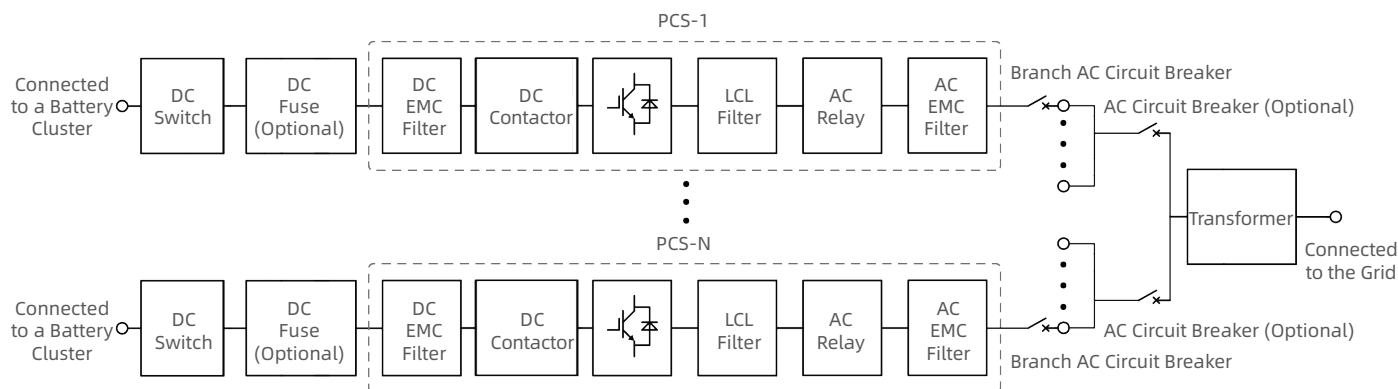
Hopewind is ranked as
Tier 1 Solar Inverter Maker by BNEF



FEATURES

- Rack-level management for batteries to address the issue of circulating current in parallel connections
- Modular design to prevent single point of failure
- Use of the three-level technology
- Strong environmental adaptability with C4~C5 anti-corrosion degree available, and no derating at 45°C ambient temperature
- Flexible capacity configuration and customizable MV voltage level of 6~35kV
- Multiple operation modes supported such as PQ and VSG

TOPOLOGICAL GRAPH



PARAMETERS

Model	HPPS-1250B	HPPS-2500B	HPPS-3000B
DC Parameters			
Number of DC Input Channels	6	12	14
Max. DC Current	281 A × 6	281 A × 12	281 A × 14
DC Voltage Operating Range	1000~1500 V		
AC Parameters			
Total Rated Power	1250 kW	2500 kW	3000 kW
Max. Output Power	1375 kVA	2750 kVA	3300 kVA
Rated Voltage	690 Vac		
Isolation Mode	Transformer Isolation		
Reactive Power Range	0~1312.5 kvar	0~2625 kvar	0~3150 kvar
On-Grid Mode			
Rated Grid Voltage	6~35 kV (Customizable)		
Rated Grid Frequency	50 Hz / 60 Hz		
THD	<3%		
Power Factor	-1~1		
Transformer Parameters			
Rated Capacity	1250 kVA	2500 kVA	3000 kVA
Transformer Type	Oil-immersed Transformer		
LV/MV Voltage	0.69 / (6~35) kV		
System Parameters			
Dimensions (W × H × D)	6058 × 2896 × 2438 mm		
Operating Temperature	-40~+60°C (Derating above 45°C)		
Operating Humidity	0~100%		
Operating Altitude	≤4000 m (No derating within 3000 m)		
Protection Degree	IP54 (PCS IP66)		
BMS Communication	RS485 / CAN		
EMS Communication	Ethernet Interface		
Communication Protocol	Modbus RTU / Modbus TCP / IEC104 / IEC61850		
Standard Compliance	GB/T 34120, IEC62477, IEC61000, EN50549		
Grid Support	H/LVRT, Frequency adjustment function, Voltage adjustment function, Inertia response, Etc.		

*Please refer to the latest physical product for any changes in specifications.

*The table only lists some models. Products can be customized for projects.

