

HOPEWIND

GREEN C&I SOLUTION

hopeSun 36-50KTL

TIER 1
BloombergNEF

Hopewind is ranked as
Tier 1 Solar Inverter Maker by BNEF



FEATURES

High-efficiency

- 2 MPPTs with Max. efficiency 98.60%
- 20A input current, compatible with 210mm PV modules
- High precision & intelligent string detection

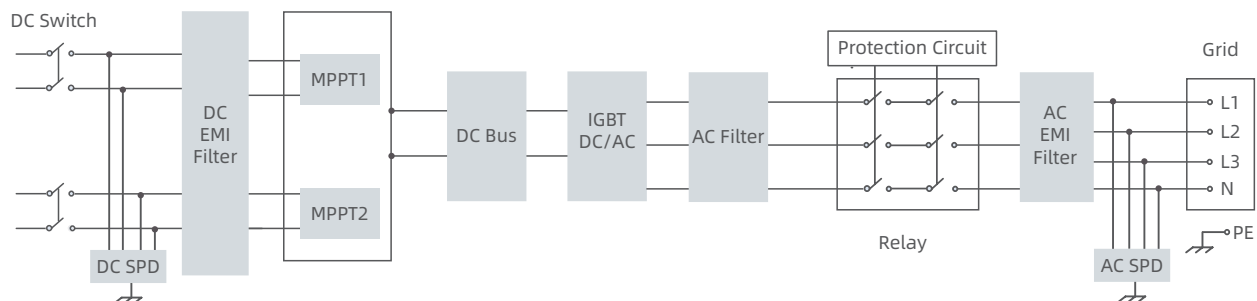
User Friendly

- Built-in zero export function interface
- Touch free commissioning via APP
- Compatible with Al and Cu AC cable

Reliability

- Smart air cooling
- Built-in Type II DC&AC SPD

TOPOLOGICAL GRAPH



PARAMETERS

Model	hopeSun 36KTL	hopeSun 40KTL	hopeSun 50KTL
DC Input			
Max. PV Input Power	54 kW	60 kW	75 kW
Max. Input Voltage	1100 V		
Starting Voltage	180 V		
MPPT Voltage Range	200~1000 V		
MPPT Range Full Load	375~850 V		450~850 V
Max. Input Current Per MPPT	45 A / 45 A	54 A / 54 A	60 A / 60 A
Max. Short-circuit Current	67.5 A / 67.5 A	81 A / 81 A	90 A / 90 A
Number of DC Inputs	3 / 3	5 / 4	
Number of MPP Trackers	2		
AC Output			
Rated Output Power	36 kW	40 kW	50 kW
Max. Output Power	39.6 kW	44 kW	55 kW
Rated Output Voltage	230 V / 400 V (3P + N + PE)		
Operating Voltage Range	300~520 V		
Rated Output Current	52.0 A	57.7 A	72.2 A
Max. Output Current	57.2 A	64 A	80 A
Rated Grid Frequency	50 Hz / 60 Hz		
Power Factor	>0.99 (0.8 leading~0.8 lagging)		
Harmonic (THD)	<3% (at rated power)		
Efficiency			
Max. Efficiency	98.60%		
European Efficiency	98.30%		
Protection			
Surge Protection	DC type II / AC type II		
Insulation Impedance Detection	Yes		
Residual Leakage Current Detection	Yes		
PV String Fault Detection	Yes		
PV Reverse Polarity Protection	Yes		
Anti-Islanding Protection	Yes		
Output Overcurrent Protection	Yes		
DC Switch	Yes		
Zero Export Function	Yes		
General Parameters			
Dimensions (W × H × D)	520 × 520 × 265 mm		
Weight	≤44 kg		
Protection Degree	IP65		
Operating Temperature	-40~+60°C		
Cooling System	Smart air cooling		
Topology	Transformerless		
Operating Altitude	4000 m (>3000 m derating)		
Display	LED, WLAN + APP		
Communication	RS485 / Wi-Fi		
DC Connection Type	MC4		
AC Connection Type	OT / DT terminal		

