

# HOPEWIND

GREEN UTILITY SOLUTION

## HSHV320/330/ 350/385K-G01



**TIER 1**  
BloombergNEF

Hopewind is ranked as  
Tier 1 Solar Inverter Maker by BNEF

## FEATURES



### Efficient

- 8 MPPTs with Max. efficiency 99.01%
- Up to 20A PV input current supports 182mm & 210mm bifacial PV modules
- Highly-precise intelligent string detection



### Reliable

- Built-in SPD modules
- Built-in PID recovery function (optional)
- Compatible in harsh environmental conditions



### Convenient O&M

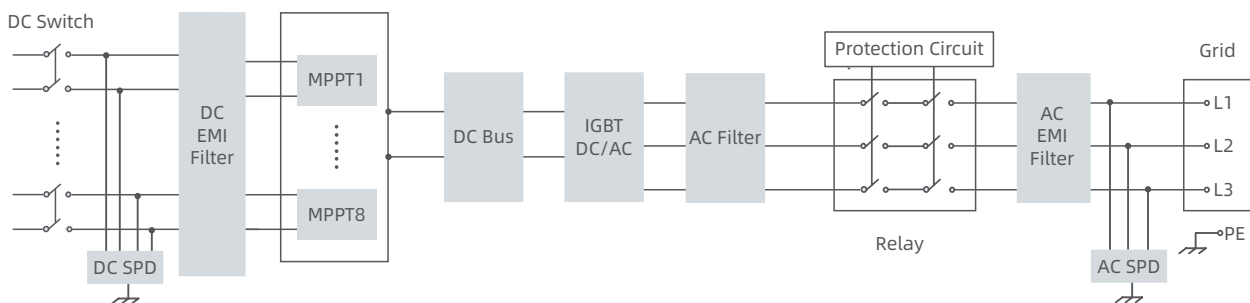
- Active and reactive power regulation
- Compatible with weak grid situation
- 24/7 continuously monitoring
- Remote firmware upgrade



### Economy Friendly

- AC-side Aluminium cable compatibility
- PLC communication
- SVG function (optional)

## TOPOLOGICAL GRAPH



# PARAMETERS

| Model  | HSHV320K-G01   | HSHV330K-G01 | HSHV350K-G01 | HSHV385K-G01                 |
|--|--|--------------|--------------|------------------------------|
| <b>DC Input</b>  |  |              |              |                              |
| Max. Input Voltage                                       | 1500 V   |              |              |                              |
| Starting Voltage   | 550 V  |              |              |                              |
| MPPT Voltage Range                                       | 500~1500 V   |              |              |                              |
| MPPT Range Full Load                                     | 860~1300 V   |              |              |                              |
| Max. Input Current Per MPPT                              | 60 A   |              |              |                              |
| Max. Short-circuit Current                               | 90 A   |              |              |                              |
| Number of DC Inputs                                      | 8 × 4  |              |              |                              |
| Number of MPP Trackers                                   | 8  |              |              |                              |
| <b>AC Output</b>   |  |              |              |                              |
| Rated Output Power                                       | 320 kW   | 330 kW       | 350 kW       | 385 kW                       |
| Max. Output Power  | 320 kW   | 330 kW       | 350 kW       | 385 kW                       |
| Rated Output Voltage                                     | 800 V (3P + PE)  |              |              |                              |
| Operating Voltage Range                                  | 640~920 V  |              |              |                              |
| Rated Output Current                                     | 230.9 A  | 238.2 A      | 252.6 A      | 277.9 A                      |
| Max. Output Current                                      | 230.9 A  | 238.2 A      | 252.6 A      | 277.9 A                      |
| Rated Grid Frequency                                     | 50 Hz / 60 Hz  |              |              |                              |
| Power Factor   | >0.99 (0.8 leading~0.8 lagging)  |              |              |                              |
| Harmonic (THD)   | <3% (at rated power)   |              |              |                              |
| <b>Efficiency</b>  |  |              |              |                              |
| Max. Efficiency  | 99.01%   |              |              |                              |
| European Efficiency                                      | 98.70%   |              |              |                              |
| <b>Protection</b>  |  |              |              |                              |
| Surge Protection   | DC type II / AC type II  |              |              |                              |
| Insulation Impedance Detection                           | Yes  |              |              |                              |
| Residual Leakage Current Detection                       | Yes  |              |              |                              |
| PV String Fault Detection                                | Yes  |              |              |                              |
| PV Reverse Polarity Protection                           | Yes  |              |              |                              |
| Anti-Islanding Protection                                | Yes  |              |              |                              |
| Output Overcurrent Protection                            | Yes  |              |              |                              |
| DC Switch  | Yes  |              |              |                              |
| Optional   | PID Recovery, SVG function   |              |              |                              |
| <b>General Parameters</b>                                |  |              |              |                              |
| Dimensions (W × H × D)                                   | 1135 × 919 × 418 mm  |              |              |                              |
| Weight   | ≤142 kg  |              |              |                              |
| Protection Degree  | IP66   |              |              |                              |
| Operating Temperature Range                              | -25~+60°C  |              |              |                              |
| Cooling System   | Smart air cooling  |              |              |                              |
| Standby Power Consumption                                | <20 W  |              |              |                              |
| Topology   | Transformerless  |              |              |                              |
| Operating Altitude                                       | 4000 m<br>(>3000 m derating)   |              |              | 4000 m<br>(>2000 m derating) |
| Display  | LED indicator, Wi-Fi / APP   |              |              |                              |
| Communication  | RS485 / PLC  |              |              |                              |
| DC Connection Type                                       | MC4  |              |              |                              |
| AC Connection Type                                       | OT / DT terminal (≤ 400 mm <sup>2</sup> )  |              |              |                              |
| <b>Standard Compliance (More Available Upon Request)</b> |  |              |              |                              |
| Certification  | IEC 62109, IEC 61000, IEC 61727, IEC 62116, IEC 60068, IEC 61683, IEC 62910, EN 50549-1, EN 50549-2, CEA, MEA (385K-G01), PEA (385K-G01) |              |              |                              |