

# HOPEWIND

GREEN C&I SOLUTION

## HSNV60/70/75/ 100/110K-G02

**TIER 1**  
BloombergNEF  
—  
Hopewind is ranked as  
Tier 1 Solar Inverter Maker by BNEF



## FEATURES



### Efficient

- 4 MPPTs with Max. efficiency of 98.50%
- 110% AC overloading
- Up to 20A of MPPT current input to support 210mm & bifacial PV modules



### User Friendly

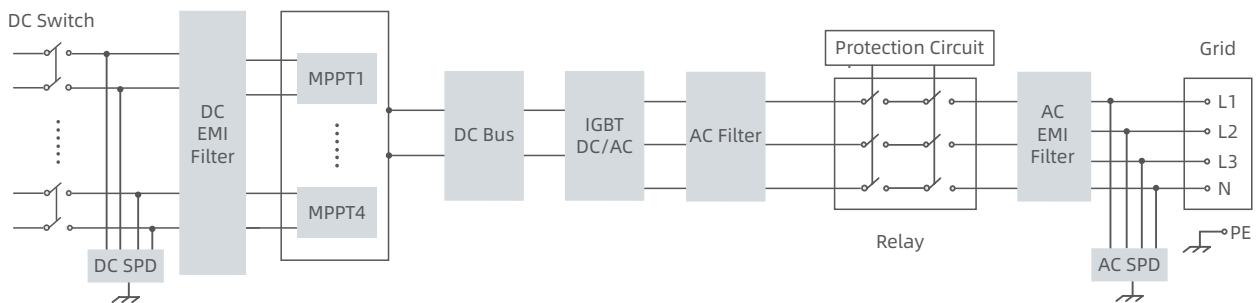
- Built-in zero export function interface
- Supports country grid code preset
- 24/7 monitoring & remote firmware upgrade
- Near-end commissioning via APP



### Reliable

- High precisely & intelligent string detection
- DC&AC SPD and DC&AC terminal temperature detection for extra safety
- Wide AC voltage range for unstable grid
- Built-in PID recovery module and many other optional functions

## TOPOLOGICAL GRAPH



# PARAMETERS

Model	HSNV60K-G02	HSNV70K-G02	HSNV75K-G02	HSNV100K-G02	HSNV110K-G02
<b>DC Input</b>					
Max. Input Voltage	1100 V				
Starting Voltage	155 V				
MPPT Voltage Range	200~1000 V				
Max. Current Per MPPT	65 A				
Max. Short-circuit Current Per MPPT	100 A				
Number of DC Inputs	4 × 4				4 × 5
Number of MPP Trackers	4				
<b>AC Output</b>					
Rated Output Power	60 kW	70 kW	75 kW	100 kW	110 kW
Max. Output Power	66 kW	77 kW	82.5 kW	110 kW	121 kW
Rated Output Voltage	230 V / 400 V (3P + N + PE)				
Operating Voltage Range	300~520 V				
Rated Output Current	86.6 A	101.0 A	108.3 A	144.3 A	158.8 A
Max. Output Current	95.3 A	111.1 A	119.1 A	158.8 A	174.7 A
Rated Grid Frequency	50 Hz / 60 Hz				
Power Factor	>0.99 (0.8 leading~0.8 lagging)				
Harmonic (THDi)	<3% (at rated power)				
<b>Efficiency</b>					
Max. Efficiency	98.50%				
European Efficiency	98.20%				
<b>Protection</b>					
Surge Protection	DC type II or type I+II, AC type II				
PV Reverse Polarity Protection	Yes				
Insulation Impedance Detection	Yes				
Residual Leakage Current Detection	Yes				
Output Overcurrent Protection	Yes				
Anti-Islanding Protection	Yes				
I/V Curve Scanning	Yes				
Zero Export Function	Yes				
PV String Monitoring	Yes				
DC&AC Terminal Temperature Detection	Yes				
DC Switch	Yes				
Optional	PID Recovery, SVG, RSD (Tigo)				
<b>General Parameters</b>					
Dimensions (W × H × D)	952 × 657 × 350 mm				
Weight	≤85 kg				
Ingress Protection	IP66				
Operating Temperature Range	-25~+60°C				
Cooling System	Smart air cooling				
Anti-corrosion	C5 (optional)				
Topology	Transformerless				
Operating Altitude	4000 m (>3000 m derating)				
Display	LED, Wi-Fi + APP				
Communication	RS485 / Wi-Fi, PLC (optional)				
DC Connection Type	MC4 (4~6 mm <sup>2</sup> )				
AC Connection Type	OT / DT terminal (≤240 mm <sup>2</sup> )				
<b>Standard Compliance (More Available Upon Request)</b>					
Certification	IEC 62109, IEC 61000, IEC 62920, IEC 61727, IEC 62116, IEC 60068, IEC 61683, EN 50549-1, EN 50549-2				

Note: The contents of the preliminary version are parameters for planned development and do not constitute a commitment to product performance.

