

HOPEWIND

GREEN C&I SOLUTION

HSNV36-50K -G01



TIER 1
BloombergNEF

Hopewind is ranked as
Tier 1 Solar Inverter Maker by BNEF

FEATURES



Efficient

- Multi-MPPT with Max. efficiency of 98.60%
- 110% AC overloading
- Up to 20A of MPPT current input to support 210mm & bifacial PV modules



User Friendly

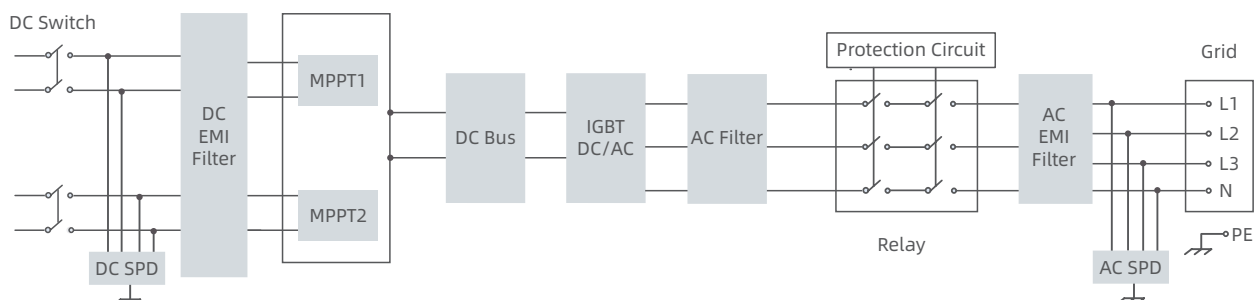
- Built-in zero export function interface
- Supports country grid code preset
- 24/7 monitoring & remote firmware upgrade
- Near-end commissioning via APP



Reliable

- Highly precise & intelligent string detection
- Built-in SPD for surge protection & AFCI function
- Wide AC voltage range for unstable grid

TOPOLOGICAL GRAPH



PARAMETERS

Model	HSNV36K-G01	HSNV40K-G01	HSNV50K-G01
DC Input			
Max. Input Voltage	1100 V		
Starting Voltage	180 V		
MPPT Voltage Range	200~1000 V		
Max. Input Current Per MPPT	45 A / 45 A	54 A / 54 A	60 A / 60 A
Max. Short-circuit Current	67.5 A / 67.5 A	81 A / 81 A	90 A / 90 A
Number of DC Inputs	3 / 3	5 / 4	
Number of MPP Trackers	2		
AC Output			
Rated Output Power	36 kW	40 kW	50 kW
Max. Output Power	39.6 kW	44 kW	55 kW
Rated Output Voltage	230 V / 400 V (3P + N + PE)		
Operating Voltage Range	300~520 V		
Rated Output Current	52.0 A	57.7 A	72.2 A
Max. Output Current	57.2 A	63.5 A	79.4 A
Rated Grid Frequency	50 Hz / 60 Hz		
Power Factor	>0.99 (0.8 leading~0.8 lagging)		
Harmonic (THDi)	<3% (at rated power)		
Efficiency			
Max. Efficiency	98.60%		
European Efficiency	98.30%		
Protection			
PV Reverse Polarity Protection	Yes		
Insulation Impedance Detection	Yes		
Residual Leakage Current Detection	Yes		
Output Overcurrent Protection	Yes		
Anti-Islanding Protection	Yes		
DC Surge Protection	Type II		
AC Surge Protection	Type II		
Zero Export Function	Yes		
PV String Monitoring	Yes		
Arc Fault Circuit Interrupter (AFCI)	Yes		
DC Switch	Yes		
General Parameters			
Dimensions (W × H × D)	520 × 520 × 265 mm		
Weight	≤55 kg		
Ingress Protection	IP65		
Operating Temperature	-40~+60°C		
Cooling System	Smart air cooling		
Topology	Transformerless		
Operating Altitude	4000 m (>3000 m derating)		
Display	LED, WLAN + APP		
Communication	RS485 / Wi-Fi		
DC Connection Type	MC4		
AC Connection Type	OT / DT terminal		
Standard Compliance (More Available Upon Request)			
Certification	IEC 62109, IEC 61000, IEC 61727, IEC 62116, IEC 60068, IEC 61683, EN 50549-1, EN 50549-2, VDE 4105, VDE 4110, VDE 4120		

