

HOPEWIND

GREEN UTILITY SOLUTION

hopeSunHV 250KTL

TIER 1
BloombergNEF

Hopewind is ranked as
Tier 1 Solar Inverter Maker by BNEF



FEATURES



High-efficiency

- 12 MPPTs with Max. efficiency 99.01%
- Compatible with 500Wp + bifacial modules
- Highly-precise intelligent string detection



User Friendly

- Active and reactive power regulation
- Compatible with weak grid situation
- Remote firmware upgrade



Reliable

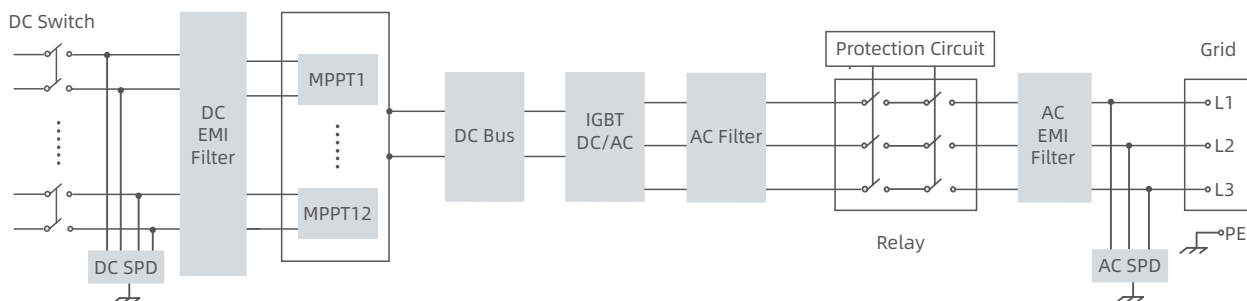
- Built-in Type II DC SPD & AC SPD
- Built-in PID recovery function
- Compatible in harsh environmental conditions



Economy Friendly

- Compatible with Aluminium cable
- PLC communication to reduce cost
- Night SVG function (optional)

TOPOLOGICAL GRAPH



PARAMETERS

| Model | hopeSunHV 250KTL |
|------------------------------------|---------------------------------|
| DC Input | |
| Max. PV Input Power | 375 kW |
| Max. Input Voltage | 1500 V |
| Starting Voltage | 500 V |
| MPPT Voltage Range | 500~1500 V |
| MPPT Range Full Load | 820~1320 V |
| Max. Input Current Per MPPT | 12 × 30 A |
| Max. Short-circuit Current | 12 × 45 A |
| Number of DC Inputs | 12 × 2 |
| Number of MPP Trackers | 12 |
| AC Output | |
| Rated Output Power | 250 kW |
| Max. Output Power | 255 kW |
| Rated Output Voltage | 800 V (3P + PE) |
| Operating Voltage Range | 680~880 V |
| Rated Output Current | 180.4 A |
| Max. Output Current | 184 A |
| Rated Grid Frequency | 50 Hz / 60 Hz |
| Power Factor | >0.99 (0.8 leading~0.8 lagging) |
| Harmonic (THD) | <3% (at rated power) |
| Efficiency | |
| Max. Efficiency | 99.01% |
| European Efficiency | 98.55% |
| Protection | |
| Surge Protection | DC type II / AC type II |
| Insulation Impedance Detection | Yes |
| Residual Leakage Current Detection | Yes |
| PV String Fault Detection | Yes |
| PV Reverse Polarity Protection | Yes |
| Anti-Islanding Protection | Yes |
| Output Overcurrent Protection | Yes |
| DC Switch | Yes |
| General Parameters | |
| Dimensions (W × H × D) | 1090 × 809 × 337 mm |
| Weight | ≤115 kg |
| Protection Degree | IP66 |
| Operating Temperature Range | -25~+60°C |
| Cooling System | Smart air cooling |
| Standby Power Consumption | <10 W |
| Topology | Transformerless |
| Operating Altitude | 4000 m (>3000 m derating) |
| Display | LED indicator |
| Communication | RS485 / PLC |
| DC Connection Type | MC4 |
| AC Connection Type | OT / DT terminal |

