

**HOPEWIND**

GREEN C&I SOLUTION

# hopeSun 60/70/75KTL



**TIER 1**  
BloombergNEF

Hopewind is ranked as  
Tier 1 Solar Inverter Maker by BNEF

## FEATURES



### High-efficiency

- 4 MPPTs with Max. efficiency 98.60%
- 20A input current, compatible with 210mm PV modules
- Night SVG function (optional)



### User Friendly

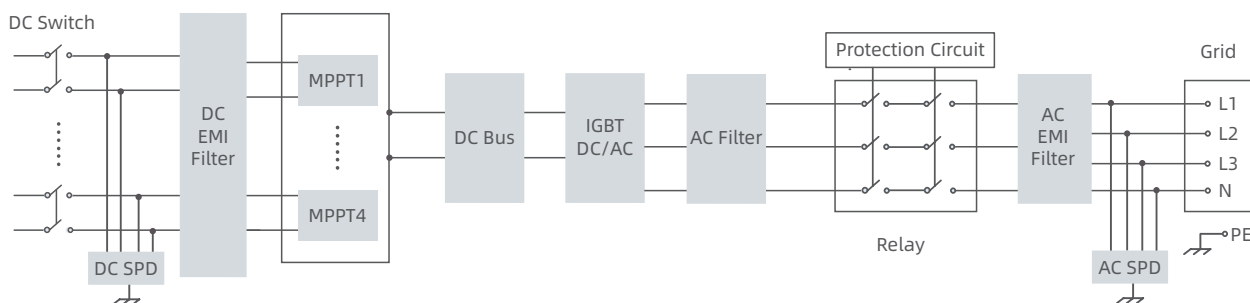
- Built-in zero export function interface
- Touch free commissioning via APP
- AC and DC redundant power supply



### Reliability

- Smart air cooling
- Built-in Type II DC&AC SPD
- Built-in PID recovery function (optional)

## TOPOLOGICAL GRAPH



# PARAMETERS

Model	hopeSun 60KTL	hopeSun 70KTL	hopeSun 75KTL
<b>DC Input</b>			
Max. PV Input Power	90 kW	105 kW	112.5 kW
Max. Input Voltage	1100 V		
Starting Voltage	180 V		
MPPT Voltage Range	200~1000 V		
MPPT Range Full Load	520~850 V		
Max. Input Current Per MPPT	45 A / 45 A / 45 A / 45 A		
Max. Short-circuit Current	60 A / 60 A / 60 A / 60 A		
Number of DC Inputs	3 / 3 / 3 / 3		4 / 3 / 3 / 4
Number of MPP Trackers	4		
<b>AC Output</b>			
Rated Output Power	60 kW	70 kW	75 kW
Max. Output Power	66 kW	77 kW	82.5 kW
Rated Output Voltage	230 V / 400 V (3P + N + PE)		
Operating Voltage Range	300~520 V		
Rated Output Current	86.6 A	101.0 A	108.3 A
Max. Output Current	95 A	111 A	119 A
Rated Grid Frequency	50 Hz / 60 Hz		
Power Factor	>0.99 (0.8 leading~0.8 lagging)		
Harmonic (THD)	<3% (at rated power)		
<b>Efficiency</b>			
Max. Efficiency	98.50%		
European Efficiency	98.20%		
<b>Protection</b>			
Surge Protection	DC type II / AC type II		
Insulation Impedance Detection	Yes		
Residual Leakage Current Detection	Yes		
PV String Fault Detection	Yes		
PV Reverse Polarity Protection	Yes		
Anti-Islanding Protection	Yes		
Output Overcurrent Protection	Yes		
DC Switch	Yes		
Zero Export Function	/		
<b>General Parameters</b>			
Dimensions (W × H × D) <sup>①</sup>	705 × 650 × 297 mm		
Weight	≤75 kg		
Protection Degree	IP65		
Operating Temperature Range	-40~+60°C		
Cooling System	Smart air cooling		
Topology	Transformerless		
Operating Altitude	4000 m (>3000 m derating)		
Display	LED, WLAN + APP		
Communication	RS485 / Wi-Fi		
DC Connection Type	MC4		
AC Connection Type	OT / DT terminal		

① The dimension does not contain hangers, handles and other components. Please refer to the User Manual for detailed dimensions.

