

# HOPEWIND

GREEN C&I SOLUTION

## hopeSun 60/110KTL



**TIER 1**  
BloombergNEF

Hopewind is ranked as  
Tier 1 Solar Inverter Maker by BNEF

### FEATURES



#### High-efficiency

- 4 MPPTs with Max. efficiency 98.60%
- 20A input current, compatible with 210mm PV modules
- Night SVG function (optional)



#### User Friendly

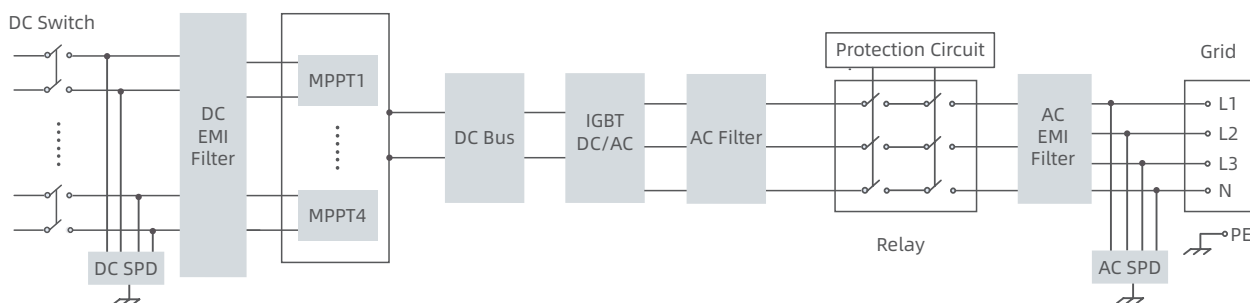
- Built-in zero export function interface
- Touch free commissioning via APP
- AC and DC redundant power supply



#### Reliability

- Smart air cooling
- Built-in Type II DC&AC SPD
- Built-in PID recovery function (optional)

### TOPOLOGICAL GRAPH



# PARAMETERS

Model	hopeSun 60KTL	hopeSun 110KTL
<b>DC Input</b>		
Max. PV Input Power	90 kW	165 kW
Max. Input Voltage	1100 V	
Starting Voltage	180 V	
MPPT Voltage Range	200~1000 V	
MPPT Range Full Load	520~850 V	550~850 V
Max. Input Current Per MPPT	45 A / 45 A / 45 A / 45 A	65 A / 65 A / 65 A / 65 A
Max. Short-circuit Current	60 A / 60 A / 60 A / 60 A	100 A / 100 A / 100 A / 100 A
Number of DC Inputs	3 / 3 / 3 / 3	5 / 5 / 5 / 5
Number of MPP Trackers	4	
<b>AC Output</b>		
Rated Output Power	60 kW	110 kW
Max. Output Power	66 kW	121 kW
Rated Output Voltage	230 V / 400 V (3P + N + PE)	
Operating Voltage Range	300~520 V	
Rated Output Current	86.6 A	158.8 A
Max. Output Current	95 A	174.6 A
Rated Grid Frequency	50 Hz / 60 Hz	
Power Factor	>0.99 (0.8 leading~0.8 lagging)	>0.99 (0.9 leading~0.9 lagging)
Harmonic (THD)	<3% (at rated power)	
<b>Efficiency</b>		
Max. Efficiency	98.50%	98.60%
European Efficiency	98.20%	98.30%
<b>Protection</b>		
Surge Protection	DC type II / AC type II	
Insulation Impedance Detection	Yes	
Residual Leakage Current Detection	Yes	
PV String Fault Detection	Yes	
PV Reverse Polarity Protection	Yes	
Anti-Islanding Protection	Yes	
Output Overcurrent Protection	Yes	
DC Switch	Yes	
Zero Export Function	/	Yes
<b>General Parameters</b>		
Dimensions (W × H × D) <sup>①</sup>	705 × 650 × 297 mm	800 × 670 × 330 mm
Weight	≤75 kg	≤89 kg
Protection Degree	IP65	
Operating Temperature Range	-40~+60°C	
Cooling System	Smart air cooling	
Topology	Transformerless	
Operating Altitude	4000 m (>3000 m derating)	
Display	LED, WLAN + APP	
Communication	RS485 / Wi-Fi	
DC Connection Type	MC4	
AC Connection Type	OT / DT terminal	

① The dimension does not contain hangers, handles and other components. Please refer to the User Manual for detailed dimensions.

