

HOPEWIND

GREEN C&I SOLUTION

HSNV25-50K -G01



TIER 1
BloombergNEF

Hopewind is ranked as
Tier 1 Solar Inverter Maker by BNEF

FEATURES



Efficient

- Multi-MPPT with Max. efficiency of 98.60%
- 110% AC overloading
- Up to 20 A of MPPT current input to support 210 mm & bifacial PV modules



User Friendly

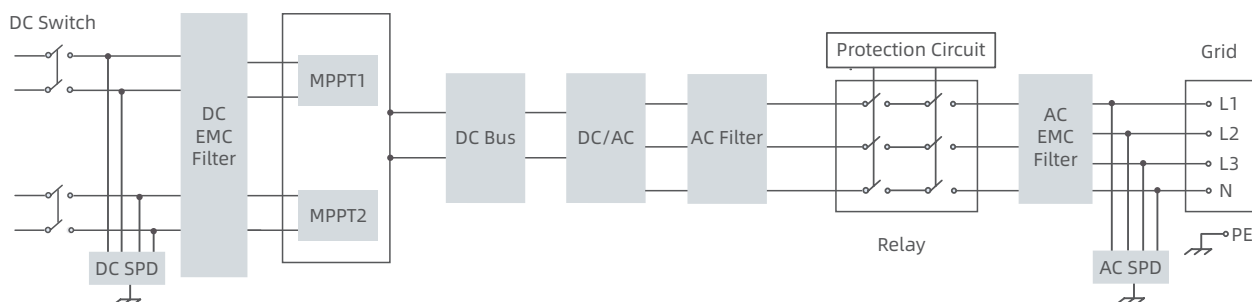
- Built-in zero export function interface
- Supports country grid code preset
- 24/7 monitoring & remote firmware upgrade
- Near-end commissioning via APP



Reliable

- Highly precise & intelligent string detection
- Built-in SPD for surge protection & AFCI function
- Wide MPPT voltage range for unstable grid

TOPOLOGICAL GRAPH



PARAMETERS

Model	HSNV25K-G01	HSNV30K-G01	HSNV36K-G01	HSNV40K-G01	HSNV50K-G01
DC Input					
Max. Input Voltage	1100 V				
Starting Voltage	180 V				
MPPT Voltage Range	200~1000 V				
Max. Input Current Per MPPT	40 A / 40 A		45 A / 45 A	54 A / 54 A	60 A / 60 A
Max. Short-circuit Current	65 A / 65 A		67.5 A / 67.5 A	81 A / 81 A	90 A / 90 A
Number of DC Inputs	2 / 2	3 / 3		5 / 4	
Number of MPP Trackers	2				
AC Output					
Rated Output Power	25 kW	30 kW	36 kW	40 kW	50 kW
Max. Output Power	27.5 kW	33 kW	39.6 kW	44 kW	55 kW
Rated Output Voltage	230 V / 400 V (3P + N + PE)				
Operating Voltage Range	300~520 V				
Rated Output Current	36.1 A	43.5 A	52.0 A	57.7 A	72.2 A
Max. Output Current	39.7 A	47.8 A	57.2 A	63.5 A	79.4 A
Rated Grid Frequency	50 Hz / 60 Hz				
Power Factor	>0.99 (0.8 leading~0.8 lagging)				
Harmonic (THDi)	<3% (at rated power)				
Efficiency					
Max. Efficiency	98.60%				
European Efficiency	98.30%				
Protection					
PV Reverse Polarity Protection	Yes				
Insulation Impedance Detection	Yes				
Residual Leakage Current Detection	Yes				
Output Overcurrent Protection	Yes				
Anti-Islanding Protection	Yes				
DC Surge Protection	Type II				
AC Surge Protection	Type II				
I/V Curve Scanning	Yes				
Zero Export Function	Yes				
PV String Monitoring	Yes				
Arc Fault Circuit Interrupter (AFCI)	Optional				
DC Switch	Yes				
General Parameters					
Dimensions (W × H × D)	520 × 520 × 265 mm				
Weight	≤55 kg				
Ingress Protection	IP65				
Operating Temperature	-40~+60°C				
Cooling System	Smart air cooling				
Topology	Transformerless				
Operating Altitude	4000 m (>3000 m derating)				
Display	LED, WLAN + APP				
Communication	RS485 / Wi-Fi				
DC Connection Type	MC4				
AC Connection Type	OT / DT terminal				
Standard Compliance (More Available Upon Request)					
Certification	IEC 62109, IEC 61000, IEC 61727, IEC 62116, IEC 60068, IEC 61683, EN 50549-1, EN 50549-2, VDE 4105, VDE 4110, VDE 4120				

