

**HOPEWIND**

GREEN UTILITY SOLUTION

# HSHV320/330/ 350/385K-G02

**TIER 1**  
BloombergNEF

Hopewind is ranked as  
Tier 1 Solar Inverter Maker by BNEF



## FEATURES



### Efficient

- 8 MPPTs with Max. efficiency 99.01%
- 20 A DC input & 65 A MPPT current, compatible to all types modules
- Full power operation at high temperatures
- Available for tracking system, improving yield



### Reliable

- IP66 & optional C5 anti-corrosive for harsh environment
- Low SCR, compatible with weak grid situations
- Built-in SPD type II for both DC&AC



### Convenient O&M

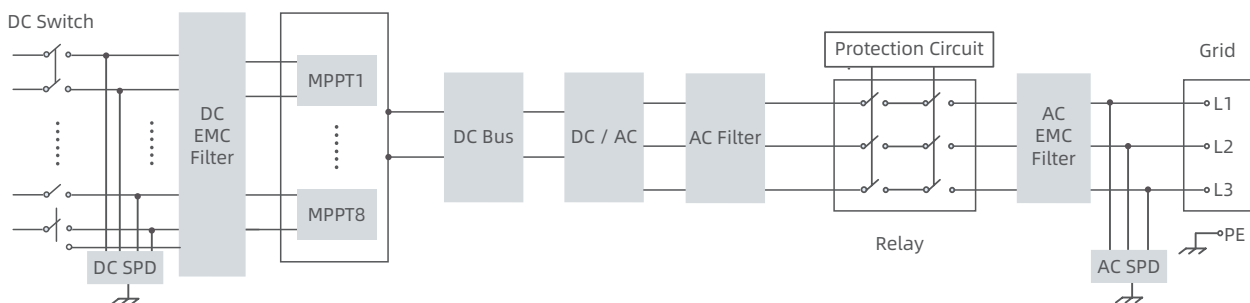
- 24 / 7 continuously monitoring
- Remote firmware upgrade
- Smart IV curve diagnosis



### Lower Cost

- AC-side Aluminium cable compatibility
- PLC communication to reduce wiring costs
- PID recovery&night SVG (optional)

## TOPOLOGICAL GRAPH



# PARAMETERS

Model	HSHV320K-G02	HSHV330K-G02	HSHV350K-G02	HSHV385K-G02
<b>DC Input</b>				
Max. Input Voltage	1500 V			
Starting Voltage	550 V			
MPPT Voltage Range	500~1500 V			
MPPT Range Full Load	960~1300 V			
Max. Input Current Per MPPT	65 A			
Max. Short-circuit Current	97.5 A			
Number of DC Inputs	8 × 4			
Number of MPP Trackers	8			
<b>AC Output</b>				
Rated Output Power	320 kW	330 kW	350 kW	385 kW
Max. Output Power	320 kW	330 kW	350 kW	385 kW
Rated Output Voltage	800 V (3P + PE)			
Operating Voltage Range	640~920 V			
Rated Output Current	230.9 A	238.2 A	252.6 A	277.9 A
Max. Output Current	230.9 A	238.2 A	252.6 A	277.9 A
Rated Grid Frequency	50 Hz / 60 Hz			
Power Factor	>0.99 (0.8 leading~0.8 lagging)			
Harmonic (THD)	<3% (at rated power)			
<b>Efficiency</b>				
Max. Efficiency	99.01%			
European Efficiency	98.70%			
<b>Protection</b>				
Surge Protection	DC type II / AC type II			
Insulation Impedance Detection	Yes			
Residual Leakage Current Detection	Yes			
PV String Fault Detection	Yes			
PV Reverse Polarity Protection	Yes			
Anti-Islanding Protection	Yes			
Output Overcurrent Protection	Yes			
DC Switch	Yes			
AFCI	Optional			
Smart IV Curve Diagnosis	Optional			
PID Recovery	Yes			
Night SVG Function	Optional			
<b>General Parameters</b>				
Dimensions (W × H × D)	1224 × 925 × 378 mm			
Weight	154 kg			
Protection Degree	IP66			
Operating Temperature Range	-30~+60°C <sup>①</sup>			
Cooling System	Smart air cooling			
Standby Power Consumption	<24 W			
Topology	Transformerless			
Operating Altitude	4000 m (>3000 m derating)		4000 m (>2000 m derating)	
Display	LED indicator, Wi-Fi / APP			
Communication	RS485 / PLC			
DC Connection Type	MC4			
AC Connection Type	OT / DT terminal (≤400 mm <sup>2</sup> )			

①Able to start at -40 °C